

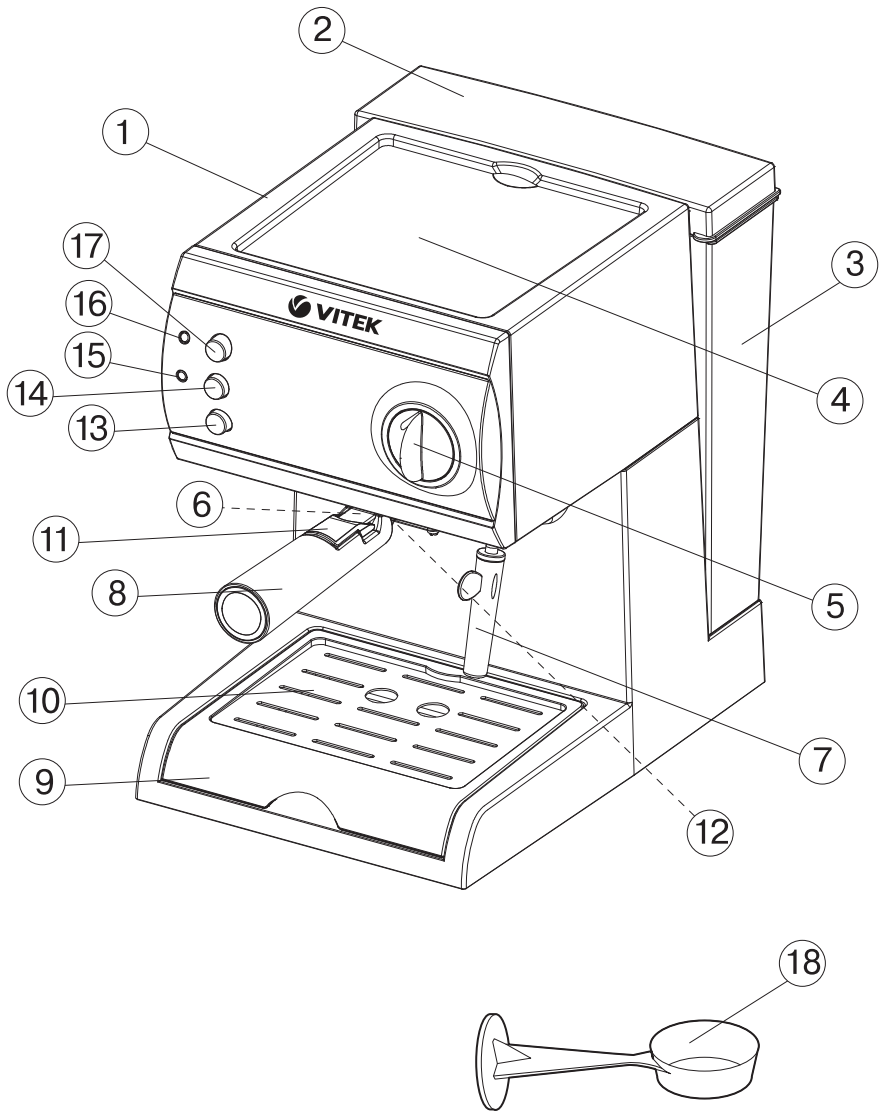
**VT-1511**

Coffee maker espresso/cappuccino

Кофеварка эспрессо/капучино

# Инструкция по эксплуатации

<b>GB</b> Manual instruction	<b>3</b>
<b>DE</b> Die betriebsanweisung	<b>9</b>
<b>RUS</b> Инструкция по эксплуатации	<b>16</b>
<b>KZ</b> Пайдалану нұсқасы	<b>22</b>
<b>RO</b> Instrucțiune de exploatare	<b>28</b>
<b>CZ</b> Návod k použití	<b>34</b>
<b>UA</b> Інструкція з експлуатації	<b>40</b>
<b>BEL</b> Інструкцыя па эксплуатацыі	<b>46</b>
<b>UZ</b> Фойдаланиш қоидалари	<b>53</b>



## ESPRESSO/ CAPPUCCINO COFFEE MAKER

### DESCRIPTION

- 1 – Housing
- 2 – Water tank lid
- 3 – Removable water tank
- 4 – Platform for warming the cups
- 5 – Steam supply control handle
- 6 – Coffee filter
- 7 – Cappuccinator pipe with a tip
- 8 – Filter holder handle
- 9 – Drops tray
- 10 – Tray lid
- 11 – Filter clamp
- 12 – Filter holder
- 13 – Water supply button
- 14 – Steam supply button
- 15 – Readiness indicator
- 16 – Power supply connection indicator
- 17 – ON/OFF button
- 18 – Measuring spoon with ground coffee densifier

### IMPORTANT SAFEGUARDS

While using electrical appliances the basic safety guards should be followed including the next:

- Read all the instructions carefully.
- Use the coffee maker for intended purposes.
- Make sure that the mains voltage corresponds to the voltage specified on the housing of the unit.
- Use the plug with a secure grounding.
- In order to reduce risk of fire, do not use adapters while connecting the unit to the wall outlet.
- Do not switch on the unit without water.
- Use only the accessories supplied.
- Before using the coffee maker, make sure that all removable parts are set properly.
- Do not touch hot surfaces of the unit.
- Be careful while operating with outgoing steam.

- Do not take off the filter holder while operating with the unit.
- Release steam from the cappuccinator pipe before removing the filter holder.
- Place the unit on the flat stable surface.
- Never leave the unit unattended, be especially careful when children or disabled persons are near the appliance.
- In order to avoid fire, electric shock or physical damages, do not immerse the power plug, the power cord or the housing into water or other liquids.
- Always unplug the unit, when you do not use the unit or before cleaning.
- To switch the unit off, set all the control buttons to the off position and remove the plug out of the socket.
- Make sure that the power cord does not hang over the table, and does not touch hot surfaces.
- Do not place the unit on heated surfaces.
- Do not use the coffee maker when the power cord, the plug are damaged, in case of malfunction or after damages.
- Do not repair the unit yourself. Apply to the nearest authorized service center for repair.
- Do not use the unit outdoors.
- Do not leave the unit at the temperature below 0°C.
- The unit is intended for domestic purposes only.
- This appliance is not intended for use by persons (including children) with reduced physical, sensory or mental capabilities, or lack of experience and knowledge, unless they have been given supervision or instruction concerning use of the appliance by a person responsible for their safety
- Children should be supervised to ensure that they do not play with the appliance.

### KEEP THESE INSTRUCTIONS

# ENGLISH

## PREPARATIONS BEFORE OPERATION

- Make sure that all functional buttons (13, 14, 17) are in the off position.
- To make sure that the steam supply is blocked, turn the handle (5) clockwise till the clamp.
- Before using the unit for the first time, wash all removable parts with warm water and wipe them with a dry cloth.
- Before switching on the unit, make sure that voltage of your home electric main corresponds to the voltage specified on the unit.
- Remove the tank (3), fill it with cold water till the MAX mark and place on its place.
- Insert the filter (6) into the holder (12), by matching the ledge on the filter (6) with the hole on the holder (12) and turn the filter (6) clockwise/anticlockwise.
- Place the filter holder into the coffee maker. Holder ledges (12) should match the groves on the boiler, and then turn the filter holder handle (8) to the right till the clamp.
- Place the corresponding cup on the cover of the tray (10).
- Inset the plug into the socket.
- Switch on the unit by pressing the ON/OFF (17) button, the indicator (16) will light up.
- To fill the boiler with water press the (13) button in 15-20 seconds or when water starts appearing in the cup, switch off water supply, by pressing the (13) button once again.
- Wait till the indicator (15) lights up, then switch on water supply, by pressing the (13) button, when the cup is filled with water, press the (13) button once again to switch off water supply, pour out water from the cup. Depending on the cup size, repeat this procedure several times, then the boiler will be washed.

### Attention!

- Do not remove the filter holder (12) if the (13), (14) buttons are pressed

- Do not remove the filter holder (12) immediately after preparing coffee as there is redundant water vapor pressure inside, let the coffee maker cool down completely.
- To remove the filter holder (12) turn the handle to the left and remove the holder.

## MAKING ESPRESSO

- Make sure that all functional buttons (13, 14, 17) are in the off position.
- To make sure that the steam supply is blocked, turn the handle (5) clockwise till the clamp.
- Remove the tank (3), fill it with cold water till the MAX mark and place on its place.
- Insert the filter (6 or 19) into the holder (12), by matching the ledge on the filter (6) with the grove on the holder (12) and turn the filter (6) clockwise/anticlockwise.
- Fill the filter (6) with the ground coffee: 2 full measuring spoons – to make two coffee cups and 1 full spoon - to make one coffee cup, slightly tamp the ground coffee by the back side of the measuring spoon (18).
- Place the filter holder into the coffee maker. Holder ledges (12) should match the groves on the boiler, and then turn the filter holder handle (8) to the right till the clamp.
- Put one or two cups on the tray lid (10).
- Inset the plug into the socket.
- Switch on the unit by pressing the ON/OFF (17) button, the indicator (16) will light up.
- Wait till the indicator (15) lights up, the unit is ready for making coffee.
- Switch on water supply, by pressing the (13) button; watch the process of the cup filling with coffee, press the (13) button once again to switch off water supply.
- Switch off the coffee maker by pressing the (17) ON/OFF button, the indicator (16) will go out.

- Wait till the coffee maker cools down and remove the filter holder (12) by turning the handle to the left. Remove the rest of the ground coffee and wash the filter (6).

**Note:**

- The cups should be preliminary heated up, when water heats up in the boiler, put the cups on the platform (4).
- When there is an extra need to remove the filter holder, reduce pressure in the boiler, switch off the coffeemaker by pressing the (17) ON/OFF button, put the corresponding cup under the cappuccinator pipe and slightly open steam supply, by turning the control (5) anticlockwise, when pressure in the boiler is reduced, remove the filter holder (12).

**MAKING CAPPUCCINO**

**Attention!** Be careful not to get burns by the outgoing steam.

- Make sure that steam supply control (5) is in the off position.
- Make coffee, as described in the “**MAKING ESPRESSO**” paragraph, in a cup, which size will be enough to add whipped foam of milk or cream.
- Press the steam supply button (14); wait till the indicator (15) lights up. Put a corresponding cup under the cappuccinator pipe (7). Carefully turn the steam supply control handle (5) for a quarter anticlockwise to remove condensation left in the steam pipe. After removal of condensation close the steam supply, by turning the handle (5) clockwise till the clamp.

**Note:** *small amount of water or steam can be released from the filter holder (12) or steam nozzle – it is normal.*

- Put the cappuccinator pipe (7) into a glass filled with cold milk or cream; carefully turn the steam supply control handle

(5) for a quarter or more anticlockwise. Cappuccinator pipe should not touch the bottom of the glass, otherwise the steam release will be blocked, several seconds are enough to get dense foam.

- Close steam supply by turning the handle (5) clockwise till the clamp.
- Switch off steam supply, by pressing the steam release button (14) once again.
- Switch off the coffee maker, by pressing the (17) ON/OFF button, the indicator (16) will go out.

**Important:**

- It is important that milk for making foam is fresh and without additives, and not a long storage milk. Take usual whole milk with fat status from 4 to 6%, cream fat status should be not less than 10%.
- Immediately after whisking milk or cream clean the cappuccinator pipe (7) – immerse the cappuccinator pipe (7) into a glass with water, switch on steam supply, by pressing the button (14) and turn the steam supply handle (5) anticlockwise, to release small amount of steam, after it close steam supply and switch off the coffee maker.
- Wait till the coffee maker cools down and remove the tip from the cappuccinator pipe (7), wipe the outer surface of the cappuccinator pipe with a damp soft cloth, wash the tip under tapping water
- At strong blockage of the nozzle of the cappuccinator pipe (7), remove the tip from the pipe, take a measuring spoon (18) (there is a hexagon opening on the spoon which is the key to unscrew the nozzle of the cappuccinator pipe), unscrew the nozzle clockwise, wash the nozzle and place it on its place, slightly tighten it using the measuring spoon (18).

**Note:** Repeated making of coffee should be performed with at least 5 min interval.

# ENGLISH

## WARMING UP BEVERAGES

You can warm up beverages, by putting the cappuccinator pipe (7) without a plastic tip into a cup.

- Press the steam supply button (14), wait till the indicator (15) lights up.
- Immerse the cappuccinator pipe (7) without a plastic tip into a cup with beverage, which you want to warm up, carefully turn the steam supply control handle (5) anticlockwise.
- Close steam supply by turning the handle (5) clockwise till the clamp.
- Switch off steam supply, by pressing the steam supply button (14) once again.
- Switch off the coffee maker, by pressing the (17) ON/OFF button, the indicator (16) will go out.

**Note:** *small amount of water or steam can be released from the filter holder (12) or steam nozzle – it is normal.*

## HOW TO GET GOOD ESPRESSO

- Use the coffee powder intended specially for the espresso coffee machines.
- Slightly ram the ground coffee in the filter (6), you can do it using the back side of the measuring spoon (18).
- The strength of coffee depends on quality and the grade of coffee beans grinding. If coffee is pouring out too long this means the coffee powder is too fine or it is rammed too strongly.

## REMOVING THE SCALE

For effective operation of the coffee maker we recommend to remove scale each 2-3 months, in case of using "hard" water – more often.

1. Make sure that all functional buttons (13, 14, 17) are in the off position.
2. To make sure that the steam supply is blocked, turn the handle (5) clockwise till the clamp.
3. Make citric acid solution: 2 teaspoons and 1 l of water and pour this solution

into the water tank (3). Set the tank (3) on its place.

4. Insert the filter (6) into the holder (12), by matching the ledge on the filter (6) with the groove on the holder (12) and turn the filter (6) clockwise/anticlockwise.
5. Place the filter holder into the coffee maker. Holder ledges (12) should match the grooves on the boiler, and then turn the filter holder handle (8) to the right till the clamp.
6. Put a corresponding cup on the lid of the tray (10).
7. Inset the plug into the socket.
8. Switch on the unit by pressing the ON/OFF (17) button, the indicator (16) will light up.
9. Press the (13) button and fill a cup of 100 ml with water (it is necessary to remove water from the boiler and fill the boiler with citric acid solution), switch off water supply, by pressing the (13) button once again.
10. Wait till the indicator (15) lights up, and switch on water supply, by pressing the (13) button and fill a cup of 100 ml with water, press the (13) button once again to switch off water supply, pour out water from the cup.
11. In some time repeat the procedure, described in paragraph 10, and fill a cup of 100 ml with water once again.
12. Press the steam supply button (14), wait till the indicator (15) lights up. Put a corresponding cup under the cappuccinator pipe (7) and open steam supply, by turning the handle of the control (5) anticlockwise. Carefully turn the control handle (5) to the maximal steam supply position, release steam for about 1 minute, close steam, by turning the handle (5) clockwise till the clamp, switch off steam supply, by pressing the (14) button.
13. Switch off the coffee maker, by pressing the (17) button. Wait for 10 - 15 minutes.

14. Make procedures in paragraphs 10 and 11 at least 3 times.
15. Repeat cleaning of steam output channels, described in paragraph 12.
16. With small intervals, repeat the boiler cleaning procedure (paragraph 10) till citric acid solution completely resolves in the tank.
17. Switch on the coffee maker, by pressing the (17) ON/OFF button.
18. Fill the tank (3) with clear water till the maximal level and repeat paragraphs 10, 12 at least 3 times, without 10-15-minute interval.
19. Switch off the coffee maker, by pressing the (17) ON/OFF button.

**Note:**

- To remove scale you can use special substances for scale removal, strictly following the instructions on their usage.

**CLEANING**

- Filter cleaning (6): you can wash filter in a dishwashing machine. If the openings are blocked with the rest of ground coffee, you can clean them with a small brush.
- Wipe the housing of the coffee maker with a damp soft cloth. Do not use metal brushes and abrasives.
- Do not immerse the unit into water or other liquids.
- Wash removable parts with warm water and wipe them with a dry cloth.

**Drops tray (9)**

- Remove the grid (10) from the tray (9), remove the tray (9) and pour out water, put the tray on its place, put the grid on the tray. If necessary wash the tray (9) and the grid (10) in water with soft detergent, rinse and dry.

**Problems, their causes and solutions**

Problem	Cause	Solution
The coffee maker does not switch on	No voltage in the socket. Power plug is not completely inserted into the socket.	Make sure that the socket is in operating position. Check whether the plug is completely inserted into the socket.
Water leaks away from the lower part of the unit	The tray is full.	Pour out water from the tray
Coffee leakage from the filter holder	Filter does not join firmly the densifier in the boiler, ground coffee got on the edges of the filter.	Clean the edges of the filter.
Coffee made has a strange odor	Wrong process of scale removal in the boiler	Refer to "Preparation to operation", "Scale removal" paragraph and repeat them several times.
	Improper storage of coffee	Use fresh ground coffee. Keep coffee in a dry cool place
Steam does not whisk milk	Low temperature of the outgoing steam	Whisk milk only after the indicator (15) lights up.
	The tank is too large or its size is improper	Use narrow high container to whisk milk
	You have used skimmed milk	Use whole milk only, with fat status 4-6%.

# ENGLISH

## **FOR DOMESTIC USE ONLY**

The unit does not have replaceable parts.

## **Specifications**

Power supply: 230 V ~ 50 Hz

Power consumption: 1050 W

*Specifications subject to change without prior notice.*

***Service life of appliance - 5 years***

## **GUARANTEE**

Details regarding guarantee conditions can be obtained from the dealer from whom the appliance was purchased. The bill of sale or receipt must be produced when making any claim under the terms of this guarantee.



*This product conforms to the EMC-Requirements as laid down by the Council Directive 89/336/EEC and to the Low Voltage Regulation (73/23 EEC)*



## KAFFEEMASCHINE FÜR ESPRESSO/ CAPPUCINO

### BESCHREIBUNG

- 1 - Gehäuse
- 2 - Deckel des Wasserbehälters
- 3 - Abnehmbarer Wasserbehälter
- 4 - Aufheizboden für Tassen
- 5 - Regler der Dampfzufuhr
- 6 - Kaffeefilter
- 7 - Rohr für Cappuccinozubereitung mit Endstück
- 8 - Hebel der Filterhalterung
- 9 - Tropfenauffangschale
- 10 - Deckel der Auffangschale
- 11 - Filterfixiervorrichtung
- 12 - Filterhalterung
- 13 - Taste der Wasserzufuhr
- 14 - Taste der Dampfzufuhr
- 15 - Bereitschaftsanzeige
- 16 - Versorgungseinschaltungsanzeige
- 17 - Ein-/Ausschalttaste (ON/OFF)
- 18 - Meßlöffel mit Kaffeepresse

### WICHTIGE SICHERHEITSHINWEISE

Beim Gebrauch der elektrischen Geräte sind wichtige Sicherheitsmaßnahmen zu beachten, unter anderem:

- Vor der Inbetriebnahme des Geräts lesen Sie aufmerksam alle Betriebsanleitungen durch.
- Nutzen Sie die Kaffeemaschine bestimmungsgemäß.
- Vor dem Einschalten des Geräts vergewissern Sie sich, ob die Netzspannung mit der Spannung Ihres Geräts übereinstimmt, die am Gehäuse des Geräts steht.
- Nutzen Sie für das Anschließen der Kaffeemaschine den Netzstecker mit sicherer Kontaktierung.
- Verwenden Sie keine Verlängerungen beim Anschließen des Geräts an das Stromnetz, um Brandrisiko zu vermeiden.
- Es ist nicht gestattet, die Kaffeemaschine ohne Wasser einzuschalten.
- Benutzen Sie nur Geräteteile, die zum Lieferumfang gehören.
- Vor dem Einschalten des Geräts vergewissern Sie sich, dass alle abnehmbaren Ersatzteile richtig aufgestellt sind.
- Berühren Sie nie heiße Stellen des Geräts.
- Seien Sie mit dem austretenden Dampf vorsichtig.
- Es ist nicht gestattet, die Filterhalterung während des Betriebs des Geräts abzunehmen.
- Lassen Sie den Dampf aus dem Rohr der Capuccinozubereitung vor dem Abnehmen des Kaffeefilters ab.
- Stellen Sie das Gerät auf eine gerade stabile Oberfläche auf.
- Lassen Sie das Gerät nie unbeaufsichtigt, besondere Vorsichtsmaßnahmen sind in den Fällen angesagt, wenn sich Kinder oder behinderte Personen während der Nutzung des Geräts in der Nähe aufhalten.
- Tauchen Sie nie das Kabel in die Kaffeemaschine oder andere Flüssigkeiten, um Stromschlagrisiko oder Verletzungen zu vermeiden.
- Schalten Sie das Gerät vor der Reinigung oder der Aufbewahrung vom Stromnetz immer ab.
- Nachdem Abschaltender Kaffeemaschine schalten Sie diese mit der Ein-/Ausschalttaste aus, und danach ziehen Sie den Netzstecker aus der Steckdose.
- Achten Sie darauf, dass das Netzkabel an den Stellen frei nicht hängt oder mit heißen Gegenständen nicht in Berührung kommt.
- Es ist nicht gestattet, die Kaffeemaschine auf heiße Oberflächen aufzustellen.
- Es ist nicht gestattet, das Gerät zu nutzen, wenn das Netzkabel oder der Netzstecker des Netzkabels beschädigt ist, sowie beim nicht ordnungsgemäßen Betrieb oder beliebigen Störungen.
- Um das Gerät zu reparieren, wen-

# DEUTSCH

den Sie sich an ein autorisiertes Kundenservicedienst.

- Es ist nicht gestattet, das Gerät außerhalb der Räumlichkeiten zu benutzen.
- Es ist nicht gestattet, das Gerät in den Orten mit erhöhter Temperatur unter 0°C zu nutzen.
- Das Gerät ist nur für den Gebrauch im Haushalt geeignet.
- Personen (einschließlich Kinder), die aufgrund ihrer physischen, sensorischen oder geistigen Fähigkeiten oder ihrer Unerfahrenheit oder Unkenntnis nicht in der Lage sind, das Gerät sicher zu benutzen, sollten dieses Gerät nicht ohne Aufsicht oder Anweisung durch eine verantwortliche Person benutzen.
- Kinder sollten beaufsichtigt werden, um sicherzustellen, dass sie nicht mit dem Gerät spielen.

## **BEWAHREN SIE DIESE BEDIENUNGSANLEITUNG SORGFÄLTIG AUF.**

### **VORBEREITUNG ZUR INBETRIEBNAHME**

- Vergewissern Sie sich, dass sich alle Steuerungstasten (13, 14, 17) in der ausgeschalteten Position befinden.
- Vergewissern Sie sich, dass die Dampfzufuhr geschlossen ist, drehen Sie dafür den Regler (5) im Uhrzeigersinn bis zum Anschlag.
- Vor der ersten Nutzung des Geräts spülen Sie abnehmbare Teile mit warmem Wasser ab und trocknen Sie diese ab.
- Vor dem Einschalten des Geräts vergewissern Sie sich, ob die Netzspannung mit der Spannung Ihres Geräts übereinstimmt, die am Gehäuse des Geräts steht.
- Nehmen Sie den Wasserbehälter (3) ab und füllen Sie ihn mit kaltem Wasser bis zum maximalen Füllstand MAX und stellen Sie diesen zurück.
- Setzen Sie den Kaffeefilter (6) in die

Kaffeehalterung (12) zurück, so dass die Vorsprünge des Kaffeefilters (6) mit den Aussparungen der Halterung (12) zusammenfallen und drehen Sie den Kaffeefilter (6) im/gegen Uhrzeigersinn.

- Stellen Sie die Filterhalterung in die Kaffeemaschine. Die Vorsprünge der Filterhalterung (12) müssen mit den Aussparungen des Heißwassererzeugers zusammenfallen, danach drehen Sie den Hebel der Filterhalterung (8) nach rechts bis zum Anschlag.
- Stellen Sie die geeignete Tasse auf den Deckel der Auffangschale (10).
- Stecken Sie den Netzstecker des Netzkabels in die Steckdose.
- Schalten Sie die Kaffeemaschine mit der Taste ON/OFF (17) ein, dabei wird die Anzeige (16) aufleuchten.
- Für das Auffüllen des Heißwassererzeugers drücken Sie die Taste (13) in 15-20 Sekunden oder beim Beginn des Auffüllens der Tasse mit Wasser, schalten Sie die Wasserzufuhr durch das erneute Drücken der Taste (13) aus.

Warten Sie ab, bis die Anzeige (15) aufleuchtet, schalten Sie danach die Wasserzufuhr mit der Taste (13) aus, und drücken Sie nach dem Auffüllen der Tasse erneut die Taste (13), um die Wasserzufuhr auszuschalten, gießen Sie Wasser aus der Tasse ab. Abhängig von der Größe der Tasse wiederholen Sie diese Handlung mehrmals, damit das Heißwassererzeuger gereinigt wird.

### **Achtung!**

- Es ist nicht gestattet, die Filterhalterung (12) bei den gedrückten Tasten (13), (14) abzunehmen.
- Es ist nicht gestattet, die Filterhalterung (12) gleich nach der Kaffe Zubereitung abzunehmen, weil Wasser- und Dampfüberdruck innerhalb des Filters sammeln kann, warten Sie ab, bis die Kaffeemaschine abgekühlt wird.

- Um die Filterhalterung (12) abzunehmen, drehen Sie den Hebel nach links und nehmen Sie die Filterhalterung ab.

## ZUBEREITUNG VON KAFFEE

### „ESPRESSO“

Vergewissern Sie sich, dass sich alle Steuerungstasten (13, 14, 17) in der ausgeschalteten Position befinden.

- Vergewissern Sie sich, dass die Dampfzufuhr geschlossen ist, drehen Sie dafür den Regler (5) im Uhrzeigersinn bis zum Anschlag.
- Nehmen Sie den Wasserbehälter (3) ab und füllen Sie ihn mit kaltem Wasser bis zum maximalen Füllstand MAX und stellen Sie diesen zurück.
- Setzen Sie den Kaffeefilter (6 oder 19) in die Kaffeehalterung (12) zurück, so dass die Vorsprünge des Kaffeefilters (6) mit den Aussparungen der Halterung (12) zusammenfallen und drehen Sie den Kaffeefilter (6) im/gegen Uhrzeigersinn.
- Geben Sie den gemahlene Kaffee in den Kaffeefilter (6) zu: 2 volle Messlöffel – für die Zubereitung von zwei Tassen Kaffee und einen vollen Löffel Kaffee – für die Zubereitung einer Tasse Kaffee, pressen Sie den gemahlene Kaffee mit der anderen Seite des Messlöffels (18).
- Stellen Sie die Filterhalterung in die Kaffeemaschine. Die Vorsprünge der Filterhalterung (12) müssen mit den Aussparungen des Heißwassererzeugers zusammenfallen, danach drehen Sie den Hebel der Filterhalterung (8) nach rechts bis zum Anschlag.
- Stellen Sie eine oder zwei Tassen auf den Deckel der Auffangschale (10).
- Stecken Sie den Netzstecker des Netzkabels in die Steckdose.
- Schalten Sie die Kaffeemaschine mit der Taste ON/OFF (17) ein, dabei wird die Anzeige (16) aufleuchten.
- Warten Sie ab, bis die Anzeige (15) aufleuchtet, die Kaffeemaschine ist betriebsbereit.

Schalten Sie die Wasserzufuhr mit der Taste (13) ein, verfolgen Sie den Prozess des Auffüllens der Tasse mit dem zubereiteten Kaffee, drücken Sie nochmals die Taste (13), um die Wasserzufuhr auszuschalten.

- Schalten Sie die Kaffeemaschine mit der Taste ON/OFF (17) ab, dabei wird die Anzeige (16) erlöschen.
- Warten Sie ab, bis die Kaffeemaschine abgekühlt wird, nehmen Sie die Filterhalterung (12) ab, drehen Sie den Hebel nach links. Entfernen Sie Reste des gemahlene Kaffee und spülen Sie den Kaffeefilter (6) ab.

### Anmerkung:

- Tassen sollen während der Aufwärmung des Wassers im Heißwassererzeuger vorgeheizt werden, stellen Sie die Tassen auf den Aufheizboden (4).
- Falls es notwendig ist, die Filterhalterung abzunehmen, soll der Druck im Heißwassererzeuger herabgesetzt werden, schalten Sie die Kaffeemaschine mit der Taste (17) aus, stellen Sie eine passende Tasse unter das Rohr für die Capuccinozubereitung und öffnen Sie leicht die Dampfzufuhr mit dem Regler (5) gegen den Uhrzeigersinn, nach der Herabsetzung des Drucks im Heißwassererzeuger nehmen Sie die Filterhalterung (12) ab.

## ZUBEREITUNG VON CAPUCCINO

### Achtung!

Seien Sie vor Verbrühungen mit heißem Dampf vorsichtig.

- Vergewissern Sie sich, dass sich der Regler der Dampfzufuhr (5) in der Position „Dampfzufuhr ausgeschaltet“ befindet.
- Bereiten Sie den Kaffee in der Tasse zu, deren Umfang für die Zugabe von Milchschaum und Milchsahne ausreichend ist, wie es im Abschnitt „ZUBEREITUNG VON ESPRESSO“ beschrieben ist.

# DEUTSCH

- Drücken Sie die Taste der Dampfzufuhr (14), warten Sie ab, bis die Anzeige (15) aufleuchtet. Stellen Sie unter das Rohr für die Capuccinozubereitung (7) ein passendes Geschirr fürs Sammeln des Wassers. Drehen Sie vorsichtig den Regler der Dampfzufuhr um eine Vierteldrehung gegen Uhrzeigersinn, um Kondenswasser abzuleiten, das im Dampfrohr geblieben ist. Unterbrechen Sie die Dampfzufuhr nach der Ableitung des Kondenswassers, indem Sie den Regler (5) im Uhrzeigersinn bis zum Anschlag drehen.

**Anmerkung:** *Es kann aus der Filterhalterung (12) oder der Dampfdüse eine kleine Menge Wasser oder Dampf austreten – es ist normal.*

- Tauchen Sie das Rohr für die Capuccinozubereitung (7) in kalte Milch oder Milchsahne, drehen Sie vorsichtig den Regler der Dampfzufuhr (5) um eine Vierteldrehung oder mehr gegen Uhrzeigersinn. Das Rohr für die Capuccinozubereitung darf den Boden des Glases nicht berühren, sonst wird der Dampfaustritt verhindert sein, für den Gewinn des Schaums sind einige Sekunden ausreichend.
- Unterbrechen Sie die Dampfzufuhr, drehen Sie den Regler (5) im Uhrzeigersinn bis zum Anschlag.
- Unterbrechen Sie die Dampfzufuhr, indem Sie erneut die Taste der Dampfzufuhr (14) drücken.
- Schalten Sie die Kaffeemaschine mit der Taste ON/OFF (17) ab, dabei wird die Anzeige (16) erlöschen.

## Wichtig:

- Es ist wichtig, frische Milch und ohne Konservierungsstoffe, d.h. keine Dauermilch, zur Zubereitung von Schaum zu benutzen, d.h. keine Dauermilch. Normale Vollmilch soll 4-6% Fett, Milchsahne mindestens 10% Fett enthalten.

Reinigen Sie das Rohr für die Capuccinozubereitung (7) gleich nach dem Schlagen von Milch oder Milchsahne – tauchen Sie dafür das Rohr (7) ins Glas mit Wasser ein, schalten Sie die Dampfzufuhr mit der Taste (14) ein und drehen Sie den Regler der Dampfzufuhr (5) gegen Uhrzeigersinn, um eine kleine Dampfmenge abzuleiten, unterbrechen Sie danach die Dampfzufuhr und schalten Sie die Kaffeemaschine aus.

- Warten Sie ab, bis die Kaffeemaschine abgekühlt wird, nehmen Sie das Endstück vom Rohr (7) ab, wischen Sie es von außen mit einem feuchten Tuch ab, spülen Sie das Endstück mit Wasser ab.
- Bei starker Verunreinigung der Düse des Rohres für die Capuccinozubereitung (7), nehmen Sie das Endstück vom Rohr ab, nehmen Sie den Messlöffel (Messlöffel hat Sechskantenaufnahme, die zur Abdrehung der Düse des Rohres dient), drehen Sie die Düse im Uhrzeigersinn, spülen Sie die Düse ab und stellen Sie die Düse zurück, indem Sie diese mit dem Messlöffel leicht festschrauben.

## Anmerkung:

- Es wird empfohlen, den Kaffee mit minimalen Intervallen von 5 Minuten zuzubereiten.

## AUFWÄRMUNG VON GETRÄNKEN

Sie können Getränke aufwärmen, indem Sie das Rohr für die Capuccinozubereitung (7) ohne das Kunststoffendstück in die Tasse tauchen.

- Drücken Sie die Taste der Dampfzufuhr (14), warten Sie ab, bis die Anzeige (15) aufleuchtet.
- Tauchen Sie das Rohr für die Capuccinozubereitung (7) ohne das Kunststoffendstück in die Tasse mit dem Getränk, das sie aufwärmen möchten, drehen Sie vorsichtig den Regler der Dampfzufuhr (5) gegen Uhrzeigersinn.
- Unterbrechen Sie die Dampfzufuhr, dre-

- hen Sie den Regler (5) im Uhrzeigersinn bis zum Anschlag.
- Unterbrechen Sie die Dampfzufuhr, indem Sie erneut die Taste der Dampfzufuhr (14) drücken.
  - Schalten Sie die Kaffeemaschine mit der Taste ON/OFF (17) ab, dabei wird die Anzeige (16) erlöschen.

*Anmerkung: Es kann aus der Filterhalterung (12) oder der Dampfduse eine kleine Menge Wasser oder Dampf austreten – es ist normal.*

## ZUBEREITUNG VON ESPRESSO

- Nutzen sie den frisch gemahlene Kaffee, der für die Zubereitung von Espresso geeignet ist.
- Pressen Sie den gemahlene Kaffee im Kaffeefilter (6) leicht zusammen, Sie können es mit dem anderen Ende des Messlöffels (18) machen.
- Die Kaffeestärke hängt von der Qualität und der Mahlfeinheitgrades der Kaffeebohnen ab. Wird die Tasse mit Kaffee zu lange gefüllt, bedeutet das, dass Kaffee sehr grob gemahlen oder zusammengepresst ist.

## ENTKALKUNG

Führen Sie die Entkalkung der Kaffeemaschine für den effektiven Betrieb der Kaffeemaschine mindestens 2-3 mal pro Monat oder öfters aus, wenn Sie hartes Wasser nutzen.

1. Vergewissern Sie sich, dass sich alle Steuerungstasten (13, 14, 17) in der ausgeschalteten Position befinden.
2. Vergewissern Sie sich, dass die Dampfzufuhr geschlossen ist, drehen Sie dafür den Regler (5) im Uhrzeigersinn bis zum Anschlag.
3. Bereiten Sie Lösung mit Zitronensäure zu: 2 Teelöffel für 1 Liter Wasser und gießen Sie die Lösung in den Behälter (3) ein. Stellen Sie den Behälter wieder auf.

4. Setzen Sie den Kaffeefilter (6) in die Kaffeehalterung (12) zurück, so dass die Vorsprünge des Kaffeefilters (6) mit den Aussparungen der Halterung (12) zusammenfallen und drehen Sie den Kaffeefilter (6) im/gegen Uhrzeigersinn.
5. Stellen Sie die Filterhalterung in die Kaffeemaschine. Die Vorsprünge der Filterhalterung (12) müssen mit den Aussparungen des Heißwassererzeugers zusammenfallen, danach drehen Sie den Hebel der Filterhalters (8) nach rechts bis zum Anschlag.
6. Stellen Sie die passende Tasse auf den Deckel der Auffangschale (10).
7. Stecken Sie den Netzstecker des Netzkabels in die Steckdose.
8. Schalten Sie die Kaffeemaschine mit der Taste ON/OFF (17) ein, dabei wird die Anzeige (16) aufleuchten.
9. Drücken Sie die Taste (13) und füllen Sie die Tasse mit 100 ml Wasser auf (es ist notwendig, um Wasser aus dem Heißwassererzeuger zu entfernen und dieses mit Zitronensäure aufzufüllen), schalten Sie die Wasserzufuhr durch das erneute Drücken der Taste (13) aus.
10. Warten Sie ab, bis die Anzeige (15) aufleuchtet, schalten Sie danach die Wasserzufuhr mit der Taste (13) ein und füllen Sie die Tasse mit 100 ml Wasser auf, drücken Sie danach erneut die Taste (13), um die Wasserzufuhr auszusprechen, gießen Sie Wasser aus der Tasse ab.
11. Wiederholen Sie nach einiger Zeit den Prozess, der im Punkt 10 beschrieben ist, und füllen Sie die Tasse mit 100 ml Wasser nochmals auf.
12. Drücken Sie die Taste der Dampfzufuhr (14), warten Sie ab, bis die Anzeige (15) aufleuchtet. Stellen Sie ein passendes Geschirr unter das Rohr für die Cappuccin Zubereitung (7) und drehen Sie den Regler der Dampfzufuhr (5) gegen Uhrzeigersinn, um die den

# DEUTSCH

Dampf abzuleiten. Drehen Sie den Regler (5) in die Position des maximalen Dampfaustritts, leiten Sie den Dampf ca. 1 Minuten ab, unterbrechen Sie die Dampfzufuhr, indem Sie den Regler (5) im Uhrzeigersinn bis zum Anschlag drehen, schalten Sie die Dampfzufuhr mit der Taste (14) aus.

13. Schalten Sie die Kaffeemaschine mit der Taste (17) aus. Warten Sie 10-15 Minuten ab.
14. Wiederholen Sie die in den Punkten 10 und 11 beschriebenen Handlungen mindestens dreimal.
15. Wiederholen Sie die Reinigung der Kanäle des Dampfaustritts, die im Punkt 12 beschrieben ist.
16. Wiederholen Sie den Prozess der Reinigung des Heißwassererzeuger (Punkt 10) mit kurzen Pausen bis zur vollen Auflösung der Zitronensäure im Behälter.
17. Schalten Sie die Kaffeemaschine mit der Taste (17) ON/OFF ein.
18. Füllen Sie den Behälter (3) mit reinem Wassers bis zum maximalen Füllstand auf und wiederholen Sie mindestens dreimal die in den Punkten 10 und 11 beschriebenen Handlungen, ohne 10-15 Minutenpause zu machen.
19. Schalten Sie die Kaffeemaschine mit der Taste (17) ON/OFF ein.

## Anmerkung:

Zur Entkalkung können unter Beachtung der Betriebsanleitung spezielle Mittel ver-

wendet werden, die für die Entkalkung geeignet sind,

## REINIGUNG

Reinigung des Filters (6). Der Filter kann in der Geschirrspülmaschine gewaschen werden. Falls Filteröffnungen mit den Kaffeeresten verstopft sind, können Sie diese mit einer kleinen Bürste reinigen.

- Wischen Sie das Gehäuse der Kaffeemaschine mit einem feuchten Tuch ab. Es ist nicht gestattet, Metallbürsten und Abrasivmittel für die Reinigung des Geräts zu benutzen.
- Es ist nicht gestattet, das Gerät ins Wasser oder andere Flüssigkeiten zu tauchen.
- Spülen Sie abnehmbare Teile der Kaffeemaschine mit warmem Wasser mit einem weichen Reinigungsmittel, wischen Sie und trocknen Sie diese ab.

## Tropfenauffangschale (9)

- Nehmen Sie den Deckel (10) von der Auffangschale (9) ab und gießen Sie Wasser ab, stellen Sie die Auffangschale zurück, stellen Sie den Sieb auf die Auffangschale auf. Bei der Notwendigkeit spülen Sie die Auffangschale (9) und den Deckel (10) mit Wasser mit einem weichen Reinigungsmittel, spülen Sie und trocknen Sie diese ab.

## Störungen, ihre Ursachen und Beseitigungsmethoden

Störung	Ursache	Störungsbeseitigungsmethode
Die Kaffeemaschine schaltet sich nicht ein.	Keine Netzspannung. Der Netzstecker des Netzkabels sitzt in der Steckdose undicht.	Vergewissern Sie sich, dass der Netzstecker funktioniert. Der Netzstecker des Netzkabels sitzt in der Steckdose undicht.
Wasser fließt aus dem unteren Teil der Kaffeemaschine heraus.	Die Wasserauffangschale ist überfüllt.	Gießen Sie Wasser der Wasserauffangschale ab.

Ausfließen von Kaffee aus dem Filter	Das Anliegen des Filters an die Dichtung im Heißwassererzeuger ist undicht, der gemahlene ist auf Ränder des Filters geraten.	Reinigen Sie Ränder des Filters.
Der zubereitete Kaffee hat einen fremden Geruch.	Die Entkalkung im Heißwassererzeuger wurde nicht richtig durchgeführt.  Der Kaffee wird nicht richtig aufbewahrt.	Siehe den Abschnitt „Vorbereitung zur Inbetriebnahme“, „Entkalkung“ und führen Sie diese mehrmals aus.  Nutzen Sie den frisch gemahlene Kaffee. Bewahren Sie das Gerät an einem kühlen Ort auf.
Der Dampf schlägt Milch nicht auf.	Die Temperatur des austretenden Dampfes ist zu niedrig.  Der Behälter ist zu groß oder passt nicht.  Sie haben entrahmte Milch genutzt.	Schlagen Sie Milch nur dann auf, wenn die Anzeige (15) aufleuchtet.  Um Milch zu schlagen, nutzen Sie enges und hohes Geschirr.  Nutzen Sie nur Vollmilch mit 4% Fett.

## **DAS GERÄT IST NUR FÜR DEN GEBRAUCH IM HAUSHALT GEEIGNET**

Enthält keine ersetzbaren Teile.

### **Technische Eigenschaften**

Stromversorgung: 230 V ~ 50 Hz

Leistungsaufnahme: 1050 W

*Der Hersteller behält sich das Recht vor die Charakteristiken des Gerätes ohne Vorbescheid zu ändern.*

### **Betriebslebensdauer des Geräts – 5 Jahre**

### **Gewährleistung**

Ausführliche Bedingungen der Gewährleistung kann man beim Dealer, der diese Geräte verkauft hat, bekommen. Bei beliebiger Anspruchserhebung soll man während der Laufzeit der vorliegenden Gewährleistung den Check oder die Quittung über den Ankauf vorzulegen.

**CE** *Das vorliegende Produkt entspricht den Forderungen der elektromagnetischen Verträglichkeit, die in 89/336/EWG -Richtlinie des Rates und den Vorschriften 73/23/EWG über die Niederspannungsgeräte vorgesehen sind.*

## КОФЕВАРКА ЭСПРЕССО/КАПУЧИНО

### ОПИСАНИЕ

- 1 – Корпус кофеварки
- 2 – Крышка емкости для воды
- 3 – Съёмная емкость для воды
- 4 – Площадка для подогрева чашек
- 5 – Ручка регулятора подачи пара
- 6 – Фильтр для кофе
- 7 – Трубка-капучинатор с наконечником
- 8 – Ручка держателя фильтра
- 9 – Поддон для капель
- 10 – Крышка поддона
- 11 – Фиксатор фильтра
- 12 – Держатель фильтра
- 13 – Кнопка подачи воды
- 14 – Кнопка подачи пара
- 15 – Индикатор готовности
- 16 – Индикатор включения питания
- 17 – Кнопка включения/выключения (ON/OFF)
- 18 – Мерная ложка с уплотнителем молотого кофе

### ВАЖНЫЕ МЕРЫ ПРЕДОСТОРОЖНОСТИ

При пользовании электрическими приборами необходимо всегда соблюдать основные меры предосторожности, в том числе:

- Внимательно прочитайте все инструкции.
- Используйте кофеварку только по ее прямому назначению.
- Убедитесь, что напряжение электрической сети соответствует напряжению, указанному на корпусе устройства.
- Используйте сетевую розетку с надежным контактом заземления.
- Во избежание риска возникновения пожара не используйте переходники при подключении прибора к электрической розетке.
- Не включайте кофеварку без воды.
- Используйте только принадлежности, входящие в комплект поставки.
- Перед включением кофеварки убедитесь,

что все съёмные детали установлены правильно.

- Не дотрагивайтесь до горячих частей и поверхностей кофеварки.
- Соблюдайте осторожность во время работы с выходящим паром.
- Запрещается снимать держатель фильтра во время работы кофеварки.
- Выпустите пар из трубки-капучинатора перед снятием держателя фильтра.
- Устанавливайте устройство на ровную устойчивую поверхность.
- Не оставляйте работающий прибор без присмотра, будьте особенно внимательны, если поблизости от работающего прибора находятся дети или лица с ограниченными возможностями.
- Во избежание пожара, удара электрическим током или физических повреждений не погружайте вилку сетевого шнура, сетевой шнур или корпус кофеварки в воду или другие жидкости.
- Всегда отключайте кофеварку от электрической сети, когда она не используется, или перед чисткой.
- Для отключения кофеварки от сети установите все кнопки управления в выключенное положение, а затем выньте сетевую вилку из розетки.
- Следите за тем, чтобы сетевой шнур не свешивался над краем стола и не соприкасался с горячими поверхностями.
- Не ставьте кофеварку на горячие поверхности.
- Не пользуйтесь кофеваркой с поврежденной вилкой сетевого шнура, поврежденным сетевым шнуром, в случае ее неправильной работы или после любых повреждений.
- Запрещается самостоятельно ремонтировать кофеварку. Для ремонта обратитесь в ближайший авторизованный сервисный центр.
- Не используйте кофеварку вне помещений.



- Никогда не оставляйте кофеварку в местах с температурой ниже 0°C.
- Только для домашнего использования.
- Данное устройство не предназначено для использования детьми и людьми с ограниченными возможностями, если только им не даны соответствующие и понятные им инструкции о безопасном использовании устройством и тех опасностях, которые могут возникать при его неправильном использовании лицом, отвечающим за их безопасность.
- Не разрешайте детям использовать устройство в качестве игрушки.
- Вставьте вилку сетевого шнура в розетку.
- Включите кофеварку нажатием кнопки ON/OFF (17), при этом загорится индикатор (16).
- Для заполнения водой бойлера нажмите кнопку (13) через 15-20 секунд или при первых признаках появления воды в чашке, выключите подачу воды, еще раз нажав на кнопку (13).
- Дождитесь, когда загорится индикатор (15), после этого включите подачу воды, нажав кнопку (13), после заполнения чашки водой, еще раз нажмите кнопку (13) для выключения подачи воды, слейте воду из чашки.

## СОХРАНИТЕ ЭТУ ИНСТРУКЦИЮ

### ПОДГОТОВКА К РАБОТЕ

- Убедитесь, что все кнопки управления (13, 14, 17) находятся в выключенном положении.
- Убедитесь, что подача пара закрыта, для этого поверните ручку (5) по часовой стрелке до упора.
- Перед первым использованием кофеварки промойте все ее съемные части теплой водой и просушите.
- Перед включением убедитесь, что напряжение электрической сети соответствует напряжению, указанному на корпусе устройства.
- Снимите емкость (3), наполните ее холодной водой до отметки MAX и установите на место.
- Вставьте фильтр для кофе (6) в держатель (12), совместив выступ на фильтре (6) с прорезью в держателе (12) и поверните фильтр (6) по/против часовой стрелке.
- Установите держатель фильтра в кофеварку. Выступы держателя (12) должны совпасть с пазами на бойлере, после чего поверните ручку держателя фильтра (8) в правую сторону до упора.
- Поставьте подходящую чашку на крышку поддона (10).

В зависимости от объема чашки проведите эту процедура несколько раз, после этого бойлер будет промыт.

### Внимание!

- Запрещается снимать держатель фильтра (12) при нажатых кнопках (13), (14)
- Не снимайте держатель фильтра (12) сразу же после приготовления кофе, так как внутри фильтра может быть избыточное давление воды и пара, дождитесь остывания кофеварки.
- Для снятия держателя фильтра (12) поверните ручку в левую сторону и снимите держатель.

### ПРИГОТОВЛЕНИЕ КОФЕ ЭСПРЕССО

- Убедитесь, что все кнопки управления (13, 14, 17) находятся в выключенном положении.
- Убедитесь, что подача пара закрыта, для этого поверните ручку (5) по часовой стрелке до упора.
- Снимите емкость (3), наполните ее холодной водой до отметки MAX и установите на место.
- Вставьте фильтр для кофе (6 или 19) в держатель (12), совместив выступ на фильтре (6) с прорезью в держателе

(12) и поверните фильтр (6) по/против часовой стрелке.

- Насыпьте молотый кофе в фильтр (6): 2 полные мерные ложки - для приготовления двух чашек кофе и 1 полную ложку - для приготовления одной чашки кофе, слегка утрамбуйте молотый кофе обратной стороной мерной ложки (18).
- Установите держатель фильтра в кофеварку. Выступы держателя (12) должны совпасть с пазами на бойлере, после чего поверните ручку держателя фильтра (8) в правую сторону до упора.
- Поставьте одну или две чашки на крышку поддона (10).
- Вставьте вилку сетевого шнура в розетку.
- Включите кофеварку нажатием кнопки (17) ON/OFF, при этом загорится индикатор (16).
- Дождитесь, когда загорится индикатор (15), кофеварка готова для варки кофе.
- Включите подачу воды, нажав кнопку (13), следите за процессом наполнения чашки приготовленным кофе, еще раз нажмите кнопку (13) для выключения подачи воды.
- Отключите кофеварку, нажав кнопку (17) ON/OFF, индикатор (16) погаснет.
- Дождитесь остывания кофеварки и снимите держатель фильтра (12), повернув ручку в левую сторону. Удалите остатки молотого кофе и промойте фильтр (6).

#### **Примечание:**

- Используемые чашки необходимо предварительно нагреть, во время нагрева воды в бойлере, установите чашки на площадку (4).
- При экстренной необходимости снятия держателя фильтра, необходимо снизить давление в бойлере, выключить кофеварку, нажав кнопку (17) ON/OFF, подставить под трубку-капучинатор

подходящую чашку и слегка приоткрыть подачу пара, повернув регулятор (5) против часовой стрелки, после сброса давления в бойлере, снять держатель фильтра (12).

#### **ПРИГОТОВЛЕНИЕ КАПУЧИНО**

**Внимание!** Опасайтесь ожогов выходящим горячим паром.

- Убедитесь, что ручка регулятора пара (5) находится в положении «подача пара выключена».
- Сварите кофе, как описано в разделе «ПРИГОТОВЛЕНИЕ ЭСПРЕССО», в чашке, объема которой будет достаточно для добавления взбитой пенки молока или сливок.
- Нажмите кнопку подачи пара (14), дождитесь, когда индикатор (15) загорится. Подставьте под трубку-капучинатор (7) любую подходящую емкость для сбора воды. Осторожно поверните против часовой стрелки ручку подачи пара (5) на четверть оборота для удаления конденсата, оставшегося в паровой трубке. После удаления конденсата закройте подачу пара, повернув ручку (5) по часовой стрелке до упора.

**Примечание:** из держателя фильтра (12) или из парового сопла может выйти небольшое количество воды или пара, это нормальное явление.

- Опустите трубку-капучинатор (7) в стакан с холодным молоком или сливками, осторожно поверните ручку регулятора подачи пара (5) против часовой стрелки на четверть оборота или больше. Трубка-капучинатор не должна касаться дна стакана, иначе выход пара будет затруднен, для получения густой пены достаточно несколько секунд.
- Закройте подачу пара, повернув ручку (5) по часовой стрелке до упора.
- Отключите подачу пара, повторно нажав кнопку подачи пара (14).

- Отключите кофеварку, нажав кнопку (17) ON/OFF, индикатор (16) погаснет.

## **Важно:**

- Важно, чтобы молоко, используемое для приготовления пенки, было свежим и без консервантов, то есть не так называемое молоко длительного хранения. Используется обычное цельное молоко жирностью от 4 до 6%, жирность сливок должна быть не менее 10%.
- Сразу после взбивания молока или сливок прочистите трубку-капучинатор (7) - для этого опустите трубку-капучинатор (7) в стакан с водой, включите подачу пара, нажав кнопку (14) и поверните ручку подачи пара (5) против часовой стрелки, чтобы выпустить небольшое количество пара, после этого закройте подачу пара и выключите кофеварку.
- Дождитесь остывания кофеварки и снимите наконечник с трубки-капучинатора (7), протрите трубку-капучинатор снаружи влажной мягкой тканью, сам наконечник промойте под струей воды.
- При сильном засорении сопла трубки-капучинатора (7) снимите с трубки колпачок, возьмите мерную ложку (18) (на ложке имеется шестигранное отверстие, служащее ключом для отворачивания сопла трубки-капучинатора), отверните сопло по часовой стрелке, промойте сопло и установите его на место, слегка затянув при помощи мерной ложки (18).

## **Примечание:**

- Повторное приготовление кофе рекомендуется производить с интервалами не менее 5 минут.

## **ПОДОГРЕВ НАПИТКОВ**

Вы можете подогреть напитки, опустив трубку-капучинатор (7) без пластикового наконечника в чашку.

- Нажмите кнопку подачи пара (14), дождитесь, когда индикатор (15) загорится.
- Опустите трубку-капучинатор (7) без пластикового наконечника в чашку с напитком, который вы хотите подогреть, осторожно поверните ручку регулятора подачи пара (5) против часовой стрелки.
- Закройте подачу пара, повернув ручку (5) по часовой стрелке до упора.
- Отключите подачу пара, повторно нажав кнопку подачи пара (14).
- Отключите кофеварку, нажав кнопку (17) ON/OFF, индикатор (16) погаснет.

**Примечание: из держателя фильтра (12) или из парового сопла может выйти небольшое количество воды или пара, это нормальное явление.**

## **КАК ПОЛУЧИТЬ ХОРОШЕЕ ЭСПРЕССО**

- Используйте свежемолотый кофе, предназначенный для кофеварок «эспрессо».
- Слегка утрамбовывайте молотый кофе в фильтре (6), это можно сделать обратным концом мерной ложки (18).
- Крепость получаемого кофе будет зависеть от качества и степени помола кофейных зерен. Если кофе наливается слишком долго, это означает, что кофе очень мелкого помола или слишком сильно утрамбован.

## **УДАЛЕНИЕ НАКИПИ**

Для эффективной работы кофеварки рекомендуется проводить удаление накипи каждые 2-3 месяца, а при использовании «жесткой» воды, чаще.

1. Убедитесь, что все кнопки управления (13, 14, 17) находятся в выключенном положении.
2. Убедитесь, что подача пара закрыта, для этого поверните ручку (5) по часовой стрелке до упора.

3. Приготовьте раствор лимонной кислоты: 2 чайные ложки на 1 литр воды и залейте полученный раствор в резервуар для воды (3). Установите резервуар (3) на место.
4. Вставьте фильтр для кофе (6) в держатель (12), совместив выступ на фильтре (6) с прорезью в держателе (12) и поверните фильтр (6) по/против часовой стрелке.
5. Установите держатель фильтра в кофеварку. Выступы держателя (12) должны совпасть с пазами на бойлере, после чего поверните ручку держателя фильтра (8) в правую сторону до упора.
6. Поставьте подходящую чашку на крышку поддона (10).
7. Вставьте вилку сетевого шнура в розетку.
8. Включите кофеварку нажатием кнопки ON/OFF (17), при этом загорится индикатор (16).
9. Нажмите кнопку (13) и наполните водой чашку объемом около 100 мл (это необходимо для того, чтобы удалить воду из бойлера и заполнить его раствором лимонной кислоты), выключите подачу воды, еще раз нажав на кнопку (13).
10. Дождитесь, когда загорится индикатор (15), после этого включите подачу воды, нажав кнопку (13) и наполните чашку объемом около 100 мл, еще раз нажмите кнопку (13) для выключения подачи воды, слейте воду из чашки.
11. Через некоторое время повторите процедуру, описанную в пункте 10, и наполните еще раз чашку объемом около 100 мл.
12. Нажмите кнопку подачи пара (14), дождитесь, когда индикатор (15) загорится. Подставьте под трубку-капучинатор (7) подходящую посуду и приоткройте подачу пара, повернув ручку регулятора (5) против часовой стрелки. Соблюдая осторожность, поверните ручку регулятора (5) в положение максимального выхода пара, выпускайте пар приблизительно 1 минуту, закройте пар, повернув ручку регулятора (5) по часовой стрелке до упора, выключите подачу пара, нажав кнопку (14).
13. Выключите кофеварку, нажав кнопку (17). Подождите 10 - 15 минут.
14. Выполните пункты 10 и 11 не менее 3 раз.
15. Повторите очистку каналов выхода пара, описанную в пункте 12.
16. С небольшими перерывами, повторите процедуру очистки бойлера (пункт 10) до полного окончания раствора лимонной кислоты в резервуаре.
17. Включите кофеварку, нажав кнопку (17) ON/OFF.
18. Заполните емкость (3) чистой водой до максимального уровня и вновь выполните пункты 10, 12 не менее 3 раз, не делая 10-15 минутного перерыва.
19. Включите кофеварку, нажав кнопку (17) ON/OFF.

### Примечание:

- Для удаления накипи можно использовать специальные средства для удаления накипи, строго соблюдая инструкции по их использованию.

### ЧИСТКА

- Чистка фильтра (6): фильтр можно помыть в посудомоечной машине. Если отверстия засорены осадком молотого кофе, вы можете почистить их небольшой щеткой.
- Протирайте корпус кофеварки мягкой влажной тканью. Не используйте металлические щетки и абразивные моющие средства.
- Запрещается погружать корпус кофеварки в воду или другие жидкости.
- Съемные детали кофеварки промывайте теплой водой с мягким моющим

средством, сполосните и высушите их.

### Поддон для капель (9)

- Снимите решетку (10) с поддона (9), снимите поддон (9) и слейте из него воду, установите поддон на место, установите решетку на поддон.

При необходимости поддон (9) и решетку (10) можно промыть водой с мягким моющим средством, сполоснуть и высушить.

### Неисправности, их причины и методы устранения

Неисправность	Причина	Метод устранения
Кофеварка не включается	В сетевой розетке отсутствует напряжение. Вилка сетевого шнура не до конца вставлена в розетку.	Убедитесь, что сетевая розетка работает. Проверьте, до конца ли вставлена вилка в розетку.
Вода вытекает из нижней части кофеварки Утечка кофе из держателя фильтра	Поддон для воды переполнен. Неплотное прилегание фильтра к уплотнителю в бойлере, молотый кофе попал на края фильтра.	Слейте воду из поддона Очистите края фильтра.
Приготовленный кофе имеет посторонний запах	Неправильный процесс удаление накипи в бойлере кофеварки Неправильное хранение кофе	Обратитесь к разделам «Подготовка к работе», «Удаление накипи», и выполните их несколько раз. Используйте свежемолотый кофе. Храните кофе в сухом прохладном месте.
Пар не взбивает молоко	Низкая температура выходящего пара Емкость слишком большая или не подходящего размера Вы использовали обезжиренное молоко	Взбивайте молоко только после того, как загорится индикатор (15). Для взбивания молока, используйте узкую, высокую посуду Используйте только цельное молоко, жирностью 4-6%.

### ТОЛЬКО ДЛЯ ДОМАШНЕГО ИСПОЛЬЗОВАНИЯ

Не содержит сменных частей.

### Технические данные

Напряжение питания: 230 В ~ 50 Гц

Потребляемая мощность: 1050 Вт

*Производитель сохраняет за собой право изменять дизайн и технические характеристики прибора без предварительного уведомления.*

### Срок службы прибора - 5 лет



*Данное изделие соответствует всем требуемым европейским и российским стандартам безопасности и гигиены.*

АН-ДЕР ПРОДАКТС ГмбХ, Австрия  
Нойбаугюртель 38/7А, 1070 Вена, Австрия

## ЭСПРЕССО/ КАППУЧИНО КОФЕҚАЙНАТҚЫШЫ

### СИПАТТАМАСЫ

- 1 – Кофеқайнатқыш корпусы
- 2 – Су сыймасының қақпағы
- 3 – Алынбалы су сыймасы
- 4 – Шыныаяқтарды қыздыру орны
- 5 – Бу жіберу реттегішінің тұтқасы
- 6 – Кофе сүзгісі
- 7 – Ұштамасы бар капучинатор – түтігі
- 8 – Сүзгі ұстағышының тұтқасы
- 9 – Су тамшыларының табасы
- 10 – Табаның қақпағы
- 11 – Сүзгі қысқышы
- 12 – Сүзгі ұстағышы
- 13 – Су жіберу түймешесі
- 14 – Бу жіберу түймешесі
- 15 – Дайындық индикаторы
- 16 – Қуаттануды қосу индикаторы
- 17 – Қосу/сөндіру (ON/OFF) түймешесі
- 18 – уатылған кофе нығыздағышы бар өлшеме қасық

### САҚТЫҚТЫҢ МАҢЫЗДЫ ШАРАЛАРЫ

Электр құрылғыларын қолдану барысында негізгі сақтық шараларын қолдану қажет, оның ішінде:

- Барлық нұсқаулықтарды мұқият оқып шығыңыз.
- Кофеқайнатқышты тек оның тікелей мақсатында ғана қолданыңыз.
- Электр желідегі кернеу құрылғының корпусындағы кернеуге сәйкес келетінін тексеріңіз. Жермеленуі сенімді желі ашасын қолданыңыз.
- Өртену қауіпінен сақтану үшін құрылғыны электр розеткасына қосу барысында өткізгіштерді қолданбаңыз.
- Суы жоқ кофеқайнатқышты қоспаңыз.
- Тек жеткізу топтамасына ғана кіретін бөлшектерді қолданыңыз.
- Кофеқайнатқышты қосу алдында барлық алынбалы бөлшектері дұрыс орнатылғанын тексеріңіз.
- Кофеқайнатқыштың ыстық бөлшектері мен тегістіктеріне қол тигізбеңіз.

- Жұмыс барысында шығып тұрған бумен сақ болыңыз.
- Сүзгі ұстағышын кофеқайнатқыш іске қосылып тұрғанда алуға болмайды.
- Сүзгіні алмас бұрын капучинатор – түтікшеден буды шығарып алыңыз.
- Құрылғыны нық тұратын тегіс беткейге орнатыңыз.
- Қосылып тұрған құрылғыны қараусыз қалдырмаңыз, іске қосылып тұрған құрылғы маңында балалар немесе мүмкіндігі шектеулі адамдар болса аса сақ болыңыз.
- Өртенуден, электр тогының соққысынан немесе физикалық зақымданудан аулақ болу үшін желі бауының ашасын, желі бауын немесе кофеқайнатқыштың корпусын суға немесе өзге сұйықтықтарға батырмаңыз.
- Егер кофеқайнатқыш қолданылмайтын болса немесе тазалау алдында, оны үнемі желіден ажыратып қойыңыз.
- Кофеқайнатқышты желіден ажырату үшін басқарудың барлық түймешелерін сөндірулі жағдайға келтіріп, желі ашасын розеткадан шығарыңыз.
- желі бауының үстел қырынан салбырап, ыстық беткейлерге тиіп тұрмауын қадағалаңыз.
- Кофеқайнатқышты ыстық беткейлерге қоймаңыз.
- Желі бауының ашасы зақымданған болса, оның жұмысы дұрыс емес немесе кез келген басқа ақауы бар болса кофеқайнатқышты қолданбаңыз.
- Кофеқайнатқышты өз бетіңізбен жөндеуге тиым салынады, жөндеу үшін жақынарадағы қызмет көрсету орталығына хабарласыңыз.
- Кофеқайнатқышты бөлмеден тыс қолданбаңыз.
- Кофеқайнатқышты ешқашан температурасы 0°C төмен жерлерде қалдырмаңыз.
- Тек үйдегі қолданысқа арналған.
- Бұл құрылғы балалардың немесе мүмкіндігі шектеулі тұлғалардың

қолдануына арналмаған, ол үшін оларға нақты және оларға түсінікті қауіпсіз қолдану туралы және дұрыс қолданбаған жағдайда қандай қауіп төнетіні туралы нұсқаулықтар берілу керек.

- Балаларға құрылғыны ойыншық ретінде қолдануға тиым салыңыз.

## ОСЫ НҰСҚАУЛЫҚТЫ САҚТАП ҚОЙЫҢЫЗ

### ЖҰМЫСҚА ДАЙЫНДАЛУ

- Барлық басқару түймешелері(13, 14, 17) сөніп тұрған жағдайда тұрғанын тексеріңіз.
- Бу жіберу қызметі сөніп тұрғанын тексеріңіз, ол үшін тұтқаны (5) сағат тілімен тірелгенше бұраңыз.
- Кофеқайнатқышты алғаш қолдану алдында барлық алынбалы бөлшектерін жылы сумен жуып, кептіріңіз.
- Қосу алдында электр желісінің кернеуі құрылғының корпусында көрсетілген кернеуге сәйкес келетінін тексеріңіз.
- Сыйманы алып (3), оған суық суды МАХ белгісіне дейін толтырыңыз және оны орнына қойыңыз.
- Кофе сүзгісін (6) ұстағышқа (12)орнатыңыз,сүзгінің (6) шығыңқы жерін ұстағыштағы (12) саңылаумен сәйкестенің де сүзгіні (6) сағат тілімен /қарсы бұраңыз.
- Сүзгі ұстағышын кофеқайнатқышқа орнатыңыз. Ұстағыштың (12) шығыңқы жерлері бойлердің тесіктерімен сәйкестену керек, содан кейін сүзгі (8) ұстағышын қысылғанша оңға қарай бұраңыз.
- Лайық шыныаяқты таба қақпағына қойыңыз (10).
- Желі бауының ашасын розеткаға салыңыз.
- Кофеқайнатқышты ON/OFF (17) түймешесін басу арқылы қосыңыз, сол кезде индикатор (16)жанады.
- Бойлерге су толтыру үшін түймешені

басыңыз (13), 15-20 секунд өткеннен кейін немесе шыныаяқта су көрінген сәтте, су жіберуді тағы бір рет түймешені басып (13) сөндіріңіз.

- Индикатор (15) жанғанша күтіңіз, содан кейін су жіберуді қосыңыз, ол үшін түймешені (13) басыңыз, шыныаяқта су толғаннан кейін түймешені(13) тағы бір рет басып, су жіберуді тоқтатыңыз, шыныаяқтан суды төгіңіз. Шыныаяқтың көлеміне қарай бұл шараны бірнеше рет қайталаңыз, содан кейін бойлер жуылған болады.

### Назар аударыңыз!

- (13), (14) түймешелері басылып тұрғанда сүзгі ұстағышын шешуге тиым салынады.
- Сүзгі ұстағышын (12) кофе әзірленгеннен кейін бірден шешуге болмайды, өйткені, сүзгінің ішінде су мен будың артық қысымы болуы мүмкін, кофеқайнатқыштың суығанын күтіңіз.
- Сүзгі ұстағышын шешу үшін (12) тұтқаны сол жаққа бұрап, ұстағышты шешіп алыңыз.

### ЭСПРЕССО КОФЕСІН ӘЗІРЛЕУ

- Барлық басқару түймешелері(13, 14, 17) сөніп тұрған жағдайда тұрғанын тексеріңіз.
- Бу жіберу қызметі сөніп тұрғанын тексеріңіз, ол үшін тұтқаны (5) сағат тілімен тірелгенше бұраңыз.
- Сыйманы алып (3), оған суық суды МАХ белгісіне дейін толтырыңыз және оны орнына қойыңыз.
- Кофе сүзгісін (6) ұстағышқа (12)орнатыңыз,сүзгінің (6) шығыңқы жерін ұстағыштағы (12) саңылаумен сәйкестенің де, сүзгіні (6) сағат тілімен /қарсы бұраңыз
- Уатылған кофені сүзгіге (6) салыңыз: екі шыныаяқ кофені әзірлеу үшін - 2 толтырылған өлшеме қасықты екі шыныаяқ кофені және 1 толған өлшеме қасықты бір шыныаяқ кофе әзірлеу

үшін саласыз, уатылған кофені өлшеме қасықтың (18) арғы бетімен ақырын нығыздап қойыңыз.

- Сүзгі ұстағышын кофеқайнатқышқа орнатыңыз. Ұстағыштың (12) шығыңқы жерлері бойлердің тесіктерімен сәйкестену керек, содан кейін сүзгі (8) ұстағышын қысылғанша оңға қарай бұраңыз.
- Бір немесе екі шыныаяқты табаның қақпағына (10) қойыңыз.
- Желі бауының ашасын розеткаға салыңыз.
- Кофеқайнатқышты (17) ON/OFF түймешесін басу арқылы қосыңыз, ол кезде индикатор (16) жанады.
- Индикатор (15) жанғанша күтіңіз, кофеқайнатқыш кофе қайнатуға дайын.
- Су жіберуді қосыңыз, ол үшін түймешені (13) басыңыз, дайын кофенің шыныаяққа толыуын бақылап тұрыңыз, су жіберуді сөндіру үшін түймешені (13) басыңыз.
- Кофеқайнатқышты сөндіріңіз, ол үшін (17) ON/OFF түймешесін басыңыз, индикатор (16) сөнеді.
- Кофеқайнатқыштың суығанын күтіңіз және сүзгіні (12) шешіп алыңыз, тұтқаны сол жаққа қарай бұраңыз. Уатылған кофенің қалдығын алып тастап, сүзгіні (6) жуыңыз.

## Ескертпе:

- Қолданылатын шыныаяқтарды алдын ала қыздырып алу керек, бойлердегі су қызып жатқанда, шыныаяқтарды орынға (4) қойыңыз.
- Сүзгі ұстағышын жедел түрде шешу қажет болса, бойлердегі қысымды төмендетіп, кофеқайнатқышты (17) ON/OFF түймешесін басып сөндіріңіз, капучинатор – түтікшенің астына лайық шыныаяқты қойып, бу жіберуді ақырын ашыңыз, реттегішті (5) сағат тіліне қарсы бұраңыз, бойлердегі қысым түскен соң, сүзгі ұстағышын (12) шешіп алыңыз.

## КАПУЧИНО ӨЗІРЛЕУ

**Назар аударыңыз!** Шығып тұрған ыстық бумен күйіп қалудан сақ болыңыз.

- Бу реттеуішінің тұтқасы (5) «бу жіберу сөніп тұр» деген жағдайда тұрғанын тексеріңіз.
- **«ЭСПРЕССОНЫ ӨЗІРЛЕУ»** тарауында көрсетілгендей, кофе қайнатыңыз, шыныаяқтың көлемі сүттің немесе қаймақтың көпсітілген көбігі сыятындай көлемде болуы тиіс.
- Бу жіберу (14) түймешесін басыңыз, индиатор (15) жанғанын күтіңіз. Каппучинатор - түтігінің (7) астына су жинайтын кез келген лайық сыйманы қойыңыз. Бу түтігінде қалып қалған конденсатты шығару мақсатында бу жіберу тұтқасын (5) сағат тілімен ақырын бұраңыз. Конденсатты шығарғаннан кейін тұтқаны (5) сағат тілімен тірелгенше бұраңыз.

**Ескертпе:** сүзгі ұстағышынан (12) немесе бу соплосынан будың немесе судың аз мөлшері шығуы ықтимал – ол қалыпты құбылыс.

- Капучинатор –түтікті (7) суық сүт немесе қаймақ құйылған стаканға салыңыз, бу жіберу реттеуішінің тұтқасын сағат тіліне қарсы жарты немесе одан көп айналымға бұраңыз. Капучинатор – түтікше стакан түбіне тимеу керек, өйткені, будың шығуы қиындай түседі, қалың көбік алу үшін бірнеше секундтың өзі жеткілікті.
- Бу жіберуді жабыңыз, ол үшін тұтқаны (5) сағат тілімен тірелгенше бұраңыз.
- Бу жіберуді сөндіру үшін бу жіберу түймешесін (14) қайталап басыңыз.
- Кофеқайнатқышты сөндіру үшін (17) ON/OFF түймешесін басыңыз, индикатор (16) сөнеді.

## Маңызды:

- Көбікті дайындауға қолданылатын сүт жаңа әкелінген және консервантсыз,



- яғни, ұзақ мерзімге сақталатын болмағаны маңызды. Кәдімгі тартылмаған, майлылығы 4 тен 6% сүтті қолданамыз, қаймақтың майлылығы 10% кем болмауға тиіс.
- Сүтті немесе қаймақты көпсіткенен кейін капучинатор –түтікшені (7) тазалаңыз – ол үшін капучинатор –түтікшені (7) су құйылған стаканға салыңыз, (14) түймешені басып, бу жіберу (5) тұтқасын сағат тіліне қарсы бұрап аз мөлшердегі бу жіберуді қосыңыз, содан кейін бу жіберуді жауып, кофеқайнатқышты сөндіріңіз.
  - Кофеқайнатқыштың суығанын күтіңіз және капучинатор –түтікшенің (7)ұштамасын шешіңіз, капучинатор –түтікшенің сыртын ылғал матамен сүртіңіз, ұштаманы ағын судың астында жуыңыз.
  - Капучинатор –түтікшенінің (7) соплосы қатты ластанса, түтікшеден қалпақшасын шешіңіз, өлшеме қасықты алыңыз (18) (қасықтың алты бұрышты тесігі капучинатор –түтікшенің соплосын бұрап шығару кілті болып табылады) соплоны сағат тіліне қарай бұрап шығарыңыз, соплоны жуыңыз, оны өлшеме қасықтың көмегімен (18) орнына орнатыңыз.

### Ескертпе:

- Кофені қайталап әзірлеу интервалы 5 минуттан кем болмауға тиіс.

### ІШІМДІКТЕРДІ ЖЫЛЫТУ

- Сіз капучинатор - түтікшесінің (7) пластик ұштамасын шыныаяққа салып ішімдіктерді жылытсаңыз болады.
- Бу жіберу түймешесін (14) басыңыз, индикатор (15) жанғанын күтіңіз.
  - Капучинатор - түтікшесінің (7) пластик ұштамасын алып тастап, жылытқыңыз келген сусын құйылған шыныаяққа салып, бу жіберу реттегішінің тұтқасын (5) сағат тіліне қарсы ақырын бұраңыз.
  - Тұтқаны (5) сағат тілімен тірелгенше

- бұрап, бу жіберуді тоқтатыңыз.
- Бу жіберу түймешесін (14) қайталап басып, бу жіберуді тоқтатыңыз.
- ON/OFF түймешесін(17) басып, кофеқайнатқышты сөндіріңіз, индикатор (16) сөнеді.

*Ескертпе: сүзгі ұстағышынан (12) немесе бу соплосынан будың немесе судың аз мөлшері шығуы ықтимал – ол қалыпты құбылыс.*

### ДӘМДІ ЭСПРЕССОНЫ ҚАЛАЙ ДАЙЫНДАЙДЫ

- «Эспрессо» кофеқайнатқыштарына арналған жаңа тартылған кофені қолданыңыз.
- Сүзгіге (6) салынған кофені ақырындап нығыздап тұрыңыз, оны өлшеме қасықтың (18) арғы бетімен жасауға болады.
- Дайындалған кофенің күштілігі кофе дөңдерінің тартылу дәрежесі мен сапасына байланысты болады. Егер кофе өте ұсақ құйылып жатса, кофе өте ұсақ тартылған немесе қатты нығыздалған болғанын білдіреді.

### ҚАҚТЫ ТҮСІРУ

Кофеқайнатқыштың жұмысы тиімді болу үшін 2-3 ай өткен сайын, ал егер су қатты қақтанған болса, одан да жиі, қағын түсіріп тұру керек.

1. Барлық басқару түймешелері (13,14,17) сөніп тұрған жағдайда тұрғанын тексеріңіз.
2. Бу жіберу сөніп тұрғанына көз жеткізіңіз, ол үшін тұтқаны (5) сағат тілімен тірелгенше бұраңыз.
3. Лимон қышқылының ерітіндісін дайындаңыз: 2 шәй қасықты 1 суға езіп, алынған ерітіндіні су сыймасына (3) құйыңыз. Сыйманы (3)орнына қойыңыз.
4. Кофе сүзгісін (6) ұстағышқа (12) орнатыңыз, ол үшін сүзгідегі шығыңқы жерді ұстағыштағы (12) саңылауға

- сәйкестенің де сүзгіні (6) сағат тілімен /қарсы бұраңыз.
- Сүзгі ұстағышын кофеқайнатқышқа орнатыңыз. Ұстағыштың шығыңқы жерлері бойлердің паздарына сәйкес келу керек, содан кейін, сүзгі ұстағышының тұтқасын (8) тірелгенше оңға қарай бұраңыз.
  - Лайықты шыныаяқты табаның қақпағына (10) орнатыңыз.
  - Желі бауының ашасын розеткаға салыңыз.
  - Кофеқайнатқышты ON/OFF (17) түймешесін басу арқылы қосыңыз, сол кезде индикатор (16) жанады.
  - Түймешені (13) басып көлемі 100 мл дей болатын айшанақты суға толтырыңыз (ол бойлердегі суды төгіп, оған лимон қышқылының ерітіндісін толтыруға қажет болады), су жіберуді тоқтатыңыз, ол үшін түймешені (13) тағы бір рет басыңыз.
  - Индикатор (15) жанғанша күтіңіз, содан кейін су жіберуді түймешені (13) басып қосыңыз, көлемі 100 мл болатын айшанақты толтырыңыз, суды тоқтату үшін түймешені (13) қайта басыңыз, суды айшанақтан төгіп тастаңыз.
  - Біраз уақыттан кейін 10 тармақта көрсетілген үрдісті қайталаңыз да, көлемі 100 мл болатын айшанақты қайта толтырыңыз.
  - Бу жіберу түймешесін (14) басыңыз, индикатор (15) жанғанын күтіңіз. Каппучинатор - түтікшенің астына (7) лайықты ыдысты қойып, бу жіберуді ашыңқыраңыз, реттеуіш тұтқасын (5) сағат тіліне қарсы бұраңыз. Сақтық сақтап, реттеуіш тұтқасын (5) будың максималды шығу жағдайына бұраңыз, буды, шамамен, бір минуттай шығарып тұрыңыз, буды жабыңыз, ол үшін реттеуіш тұтқасын (5) сағат тілімен тірелгенше бұраңыз, бу жіберуді түймешені (14) басу арқылы сөндіріңіз.
  - Кофе қайнатқышты түймешені (17) басу арқылы сөндіріңіз, 10-15 минуттай күтіңіз.
  - 10 және 11 тармақтарындағы үрдісті кем дегенде 3 рет қайталаңыз.
  - 12 тармақта көрсетілген бу шығару каналдарын тазартуды қайталаңыз.
  - Арасына аз уақыт салып, бойлерді тазалау үрдісін сыймадағы лимон қышқылының ерітіндісі толық аяқталғанша қайталаңыз (10 тармақ)
  - Кофеқайнатқышты ON/OFF түймешесін (17) басу арқылы қосыңыз.
  - Сыймаға максималды деңгейге дейін таза су толтырыңыз және 10, 12 тармақтарын кем дегенде 3 рет, арасына 10-15 минут үзіліс салмай, қайталаңыз.
  - Кофеқайнатқышты ON/OFF түймешесін (17) басу арқылы қосыңыз.

## Екертпе:

- Қақты түсіру үшін қақ түсірудің арнайы құралдарын қолданып, олардың қолдану нұсқаулығын қатаң ұстанып, жүзеге асыруға болады.

## ТАЗАЛАУ

- Сүзгіні тазалау(6): Сүзгіні ыдыс жуу машинасында жууға болады. Егер тесіктеріне тартылған кофеңің шөгіндісі тұрып қалған болса, оларды кішкентай щеткамен тазалап жіберсеңіз болады.
- Кофеқайнатқыштың корпусын жұмсақ ылғал матамен сүртуге болады. Темір щеткалар мен абразивты жуғыш құралдарын қолдануға болмайды.
- Кофеқайнатқыштың корпусын суға немесе өзге сұйықтықтарға батыруға болмайды.
- Кофеқайнатқыштың алынбалы бөлшектерін бейтарап жуғыш құралы қосылған жылы сумен жуып, шайып, кептіру керек.

## Тамшылар табасы (9)

- Табаның торын (10) алыңыз, табаны алыңыз (9), оның ішіндегі суды төгіп тастаңыз, табаны орнына қойыңыз, торын орнатыңыз. Қажет болған жағдайда табаны (9) және торын (10) жұмсақ жуғыш құрал қосылған сумен жуып, шайып, кептіруге болады.

## Ақаулар, олардың себептері және оларды түзеу тәсілдері

Ақау	Себебі	Түзеу тәсілі
Кофеқайнатқыш қосылмайды	Желі розеткасында кернеу жоқ. Желі бауының ашасы розеткаға аяғына дейін салынбаған.	Желі розеткасы жұмыс істеп тұрғанын тексеріңіз. Аша розеткаға аяғына дейін салынғанын көріңіз.
Кофеқайнатқыштың астыңғы жағынан су ағып тұр. Кофе сүзгі ұстағышынан ағып тұр.	Су табасы толып кеткен. Сүзгі бойлердегі нығыздағышқа тығыз тірелмеген, тартылған кофе сүзгінің шетіне төгілген.	Табадағы суды төгіңіз. Сүзгінің шетін тазалаңыз.
Дайын кофенің бөтен иісі бар.	Кофеқайнатқыштың бойлеріндегі қақ дұрыс жолмен түсірілмеген. Кофе дұрыс сақталмаған.	«Жұмысқа дайындалу» «қақ түсіру» тарауларын қайта оқып, оларды бірнеше рет қайталаңыз. Жаңа тартылған кофені қолданыңыз. Кофені құрғақ салқын жерде сақтаңыз.
Бу сүтті көбіктендірмейді.	Шығып жатқан будың температурасы төмен. Сыйма өте үлкен немесе көлемі лайықсыз. Сіз қаймағы айырылған сүт қолданғансыз.	Сүтті тек индикатор (15) жанғаннан кейін ғана көпіртіңіз. Сүтті көпірту үшін жіңішке биік ыдысты қолданыңыз. Тек қаймағы айырылмаған, майлылығы 4-6 пайыз сүтті қолданыңыз.

**ТЕК ТҰРМЫСТЫҚ ҚОЛДАНЫСҚА АРНАЛҒАН:** Ауыстырылатын бөлшектері жоқ.

### Техникалық мәліметтері:

Қуаттану кернеуі: 230 В ~ 50 Гц

Тұтыну қуаты: 1050 Вт

*Өндіруші алдын ала хабарламастан аспаптың сипаттамаларын өзгертуге құқылы.*

**Құралдың қызмет ету мерзімі - 5 жыл**

### Гарантиялық міндеттілігі

Гарантиялық жағдайдағы қаралып жатқан бөлшектер дилерден тек сатып алынған адамға ғана беріледі. Осы гарантиялық міндеттілігіндегі шағымдалған жағдайда төлеген чек немесе квитанциясын көрсетуі қажет.



*Бұл тауар EMC – жағдайларға сәйкес келеді негізгі Міндеттемелер 89/336/ЕЕС Дерективаның ережелеріне енгізілген Төменгі Ережелердің Реттелуі (73/23 ЕЕС)*

## CAFETIERĂ ESPRESSO/CAPPUCCINO

### DESCRIEREA APARATULUI

- 1 – Corpul cafetierei
- 2 – Capac rezervor apă
- 3 – Rezervor de apă detașabil
- 4 – Platu de încălzire a cânilor
- 5 – Mânerul reglului de pompare a aburilor
- 6 – Filtru pentru cafea
- 7 – Tub de aspirare a laptelui cu vârf
- 8 – Mâner suport filtru
- 9 – Tavă de colectare a picăturilor
- 10 – Capacul tăvii
- 11 – Fixator filtru
- 12 – Susținător filtru
- 13 – Buton de pompare apă
- 14 – Buton de pompare aburi
- 15 – Indicator terminare
- 16 – Indicator conectare la rețea
- 17 – Buton pornire/oprire(ON/OFF)
- 18 – Lingură măsură și tasare cafea măcinată

### MĂSURI IMPORTANTE DE SIGURANȚĂ

Atunci când utilizați aparatele electrice întotdeauna respectați principalele măsuri de siguranță, inclusiv:

- Citiți cu atenție toate instrucțiunile.
- Nu folosiți cafetiera în alte scopuri decât cele menționate în instrucțiuni.
- Asigurați-vă că tensiunea rețelei corespunde cu tensiunea înscrisă pe corpul aparatului.
- Utilizați o priză de rețea care să fie în contact ferm cu pământul.
- Pentru a evita riscul incendierii nu utilizați piese intermediare pentru conectarea aparatului la rețea.
- Nu utilizați cafetiera fără apă.
- Utilizați doar accesoriile din setul de livrare.
- Înainte de a porni cafetiera, asigurați-vă că toate piesele detașabile sunt montate corect.
- Nu atingeți suprafețele și părțile fierbinți ale cafetierei.

- Atenție la degajarea de aburi pentru a nu vă opări.
- Nu încercați să scoateți susținătorul filtrului în timp ce cafetiera este în funcțiune.
- Scoateți aburul din tubul de aspirare a laptelui înainte de a demonta susținătorul filtrului.
- Așezați aparatul pe o suprafață plană și stabilă.
- Nu lăsați aparatul fără supraveghere când acesta este în funcțiune, fiți deosebit de prudenți în cazul în care în preajma aparatului conectat se află copii sau persoane cu abilități fizice reduse.
- Pentru a preveni pericolul de incendiu, electrocutare sau traumatisme nu introduceți ștecherul, cordonul de alimentare sau cafetiera în apă sau alte lichide.
- Ștecherul trebuie scos din priză atunci când aparatul nu se utilizează sau când se curăță.
- Pentru a deconecta cafetiera de la rețea fixați butoanele de control în poziția închis, după care scoateți ștecherul din priză.
- Nu lăsați cablul de alimentare să atârne peste marginea mesei și să contacteze cu suprafețe fierbinți.
- Nu așezați cafetiera pe suprafețe fierbinți.
- Nu utilizați cafetiera dacă este deteriorat ștecherul, cablul de alimentare, dacă există nereguli în funcționare sau în caz de orice defecțiuni.
- Nu reparați singuri cafetiera, pentru reparații apelați la un service autorizat.
- Nu folosiți aparatul în exterior.
- Nu lăsați cafetiera în locuri unde temperatura este mai joasă de 0°C.
- Acest aparat este destinat numai pentru utilizare casnică.

### PĂSTRAȚI ACEASTĂ INSTRUCȚIUNE

#### PREGĂTIREA PENTRU UTILIZARE

- Asigurați-vă că butoanele de control (13, 14, 17) sunt închise.
- Asigurați-vă, că pomparea aburului este

- oprită, pentru aceasta rotiți mânerul (5) în sensul acelor de ceasornic până la capăt.
- Înainte de prima utilizare spălați părțile detașabile ale cafetierei în apă caldă și uscați-le.
  - Înainte de a porni aparatul asigurați-vă că tensiunea rețelei corespunde cu tensiunea înscrisă pe corpul aparatului.
  - Scoateți rezervorul (3), umpleți-l cu apă rece până la nivelul MAX și montați-l la loc.
  - Introduceți filtrul de cafea (6) în susținătorul (12), reunind ieșitura filtrului (6) cu orificiul susținătorului (12) și rotiți filtrul (6) în sensul/în sens invers acelor ceasornicului.
  - Montați susținătorul filtrului în cafetieră. Ieșiturile susținătorului (12) trebuie să coincidă cu canelurile de pe boiler, după care rotiți mânerul susținătorului de filtru (8) spre dreapta până la capăt.
  - Așezați o cană potrivită pe capacul tăvii (10).
  - Introduceți ștecherul în priză.
  - Porniți cafetiera apăsând butonul ON/OFF (17), becul indicator (16) se va aprinde.
  - Pentru a umple boilerul cu apă apăsați butonul (13), peste 15-20 de secunde sau la primele semne de apariție a apei în ceașcă, opriți pomparea apei apăsând încă o dată butonul (13).
  - Așteptați până se va aprinde becul indicator (15), după care porniți pomparea apei, apăsând butonul (13), după umplerea câinii cu apă, apăsați încă o dată butonul (13) pentru a opri pomparea apei, vărsați apa din cană. În funcție de volumul câinii, repetați procedura de câteva ori, boilerul este curățat.

## Atențiune!

- Nu detașați susținătorul filtrului (12) dacă sunt apăsați butoanele (13), (14).
- Nu detașați susținătorul filtrului (12) imediat după prepararea cafelei, deoarece în interiorul filtrului se poate afla un surplus

de presiune și abur, așteptați până cafetiera se va răci.

- Pentru a scoate susținătorul filtrului (12) rotiți mânerul spre stânga și scoateți susținătorul.

## PREPARAREA CAFELEI ESPRESSO

- Asigurați-vă că toate butoanele de control (13, 14, 17) sunt închise.
- Asigurați-vă că pomparea aburilor este oprită, pentru aceasta rotiți mânerul (5) în sensul acelor de ceasornic până la capăt.
- Demontați rezervorul (3), umpleți-l cu apă rece până la nivelul MAX și montați-l la loc.
- Introduceți filtrul de cafea (6 sau 19) în susținător (12), reunind ieșitura filtrului (6) cu orificiul susținătorului (12) și rotiți filtrul (6) în sensul/în sens invers acelor de ceasornic.
- Umpleți filtrul (6) cu cafea măcinată: 2 linguri de măsură pline – pentru prepararea a două cești de cafea și 1 lingură de măsură plină – pentru prepararea unei cești de cafea, tasați ușor cafeaua măcinată cu partea opusă a lingurii de măsură (18).
- Montați susținătorul filtrului în cafetieră. Ieșiturile susținătorului (12) trebuie să coincidă cu canelurile de pe boiler, după care rotiți mânerul susținătorului de filtru (8) spre dreapta până la capăt.
- Așezați o ceașcă sau două pe capacul tăvii (10).
- Introduceți ștecherul în priză.
- Porniți cafetiera apăsând butonul (17) ON/OFF, becul indicator (16) se va aprinde.
- Așteptați până se va aprinde becul indicator (15), cafetiera este gata pentru a prepara cafeaua.
- Porniți pomparea apei apăsând butonul (13), urmăriți procesul de umplere a ceștii cu cafeaua preparată, apăsați încă o dată butonul (13) pentru a opri pomparea apei.
- Opriți cafetiera apăsând butonul (17) ON/OFF, becul indicator (16) se va stingea.
- Așteptați până cafetiera se va răci și de-

# ROMÂNĂ

montați susținătorul filtrului (12) rotiți mânerul spre stânga. Înlăturați resturile de cafea măcinată și curățați filtrul(6).

## Remarcă:

- Ceștile pe care doriți să le folosiți trebuie încălzite în prealabil, în timpul încălzirii apei în boiler așezați ceștile pe platoul (4).
- În cazul necesității urgente de a detașa susținătorul filtrului, micșorați presiunea în boiler, opriți cafetiera apăsând butonul (17) ON/OFF, așezați sub tubul de aspirare a laptelui o ceașcă potrivită și întredeschideți puțin pomparea aburului rotind reglorul (5) în sens invers acelor de ceasornic, după decompresia în boiler, demontați susținătorul de filtru (12).

## PREPARAREA CAPPUCCINO

**Atențiune!** Aveți grijă la aburii fierbinți pentru a nu vă opări.

- Asigurați-vă că mânerul reglului de aburi (5) se află în poziția "pomparea aburului este conectată".
- Fierbeți cafeaua conform descrierii din capitolul „PREPARAREA CAFELEI ESPRESSO”, într-o ceașcă care să fie suficient de încăpătoare pentru spuma de lapte bătută sau crema de lapte.
- Apăsăți butonul de pompă a aburului (14), și așteptați să se aprindă becul indicator (15). Așezați sub tubul de aspirare a laptelui (7) orice vas potrivit pentru colectarea apei. Rotiți cu grijă în sens invers acelor de ceasornic mânerul de pompă a aburului (5) la un sfert de rotație pentru înlăturarea condensatului rămas în tubul vaporizator. După înlăturarea condensatului închideți pomparea aburului rotind mânerul (5) în sensul acelor de ceasornic până la capăt.

**Remarcă:** este normal ca din susținătorul filtrului (12) sau din ajutorul de abur să iasă o cantitate neînsemnată de apă sau abur.

- Introduceți tubul de aspirare a laptelui (7) într-un pahar cu lapte rece sau cremă de lapte, rotiți cu grijă mânerul reglului de pompă a aburului (5) în sens invers acelor de ceasornic la un sfert de rotație sau mai mult. Tubul de aspirare a laptelui nu trebuie să atingă fundul paharului, în caz contrar ieșirea aburilor va fi îngreunată, pentru a obține o spumă densă este nevoie de câteva secunde.
- Închideți pomparea aburului, rotind mânerul (5) în sensul acelor de ceasornic până la capăt.
- Opriți pomparea aburului apăsând încă o dată butonul de pompă a aburului (14).
- Opriți cafetiera apăsând butonul (17) ON/OFF, becul indicator (16) se va stinge.

## Important:

- Este important ca laptele utilizat pentru prepararea spumei să fie proaspăt și fără conservanți, adică nu așa numitul lapte de păstrare îndelungată. Se va utiliza lapte obișnuit cu o grăsime de la 4 până la 6%, grăsimea creimei de lapte trebuie să fie de cel puțin 10%.
- Imediat după baterea laptelui sau a creimei de lapte curățați tubul de aspirare a laptelui (7) – pentru aceasta introduceți tubul de aspirare a laptelui (7) într-un pahar cu apă, porniți pomparea aburului apăsând butonul (14) și rotiți mânerul de pompă a aburului (5) în sens invers acelor de ceasornic pentru a scoate o cantitate mică de abur, după care închideți pomparea aburului și deconectați cafetiera.
- Lăsați cafetiera să se răcească și scoateți vârful de pe tubul de aspirare a laptelui (7), ștergeți tubul de aspirare a laptelui pe din afară cu o cârpă moale umezită, iar vârful clătiți-l sub robinetul de apă.
- Dacă duza tubului de aspirare a laptelui (7) este înfundată, scoateți capacul de pe tub, luați lingura de măsură (18) (lingura dispune de un orificiu hexagonal care servește drept cheie pentru deșuruba-

rea duzei tubului de aspirare a laptelui), deșurubai duza în sensul acelor de ceasornic, spălați duza și montați-o la loc strângând-o ușor cu ajutorul lingurii de măsură (18).

#### Remarcă:

- Vă recomandăm să așteptați răcirea aparatului cel puțin 5 minute, înainte de a prepara din nou cafea.

#### ÎNCĂLZIREA BĂUTURILOR

Puteți să încălziți băuturile inserând tubul de aspirare a laptelui (7) fără vârful de plastic în ceașcă.

- Apăsăți butonul de pompare a aburului (14), așteptați până se va aprinde becul indicator (15).
- Introduceți tubul de aspirare a laptelui (7) fără vârful de plastic în ceașca cu băutura pe care doriți s-o încălziți, rotiți ușor mânerul reglorului de pompare a aburului (5) în sens invers acelor de ceasornic.
- Închideți pomparea aburului rotind mânerul (5) în sensul acelor de ceasornic până la capăt.
- Opriți pomparea aburului, apăsând repetat butonul de pompare a aburului (14).
- Opriți cafetiera apăsând butonul (17) ON/OFF, becul indicator (16) se va stinge.

**Remarcă:** este normal ca din susținătorul filtrului (12) sau din ajutorul de abur să iasă o cantitate neînsemnată de apă sau abur.

#### SFATURI PENTRU UN ESPRESSO MAI GUSTOS

- Întotdeauna folosiți cafeaua proaspăt măcinată destinată pentru cafetierele „espresso”.  
Tasați ușor cafeaua măcinată în filtrul (6) cu capătul opus al lingurii de măsură (18).
- Tăria cafelei preparate va depinde de calitatea și gradul de măcinare a boabelor de

cafea. Dacă cafeaua curge un timp prea îndelungat, acest fapt înseamnă că cafeaua este măcinată prea mărunț sau este tasată prea tare.

#### ÎNLĂTURAREA DEPURĂRIILOR MINERALE

Pentru a menține cafetiera într-o bună stare de funcționare se recomandă de a efectua înlăturarea depunerilor minerale o dată la 2-3 luni și mai des dacă utilizați apa „dură”.

1. Asigurați-vă că toate butoanele de control (13, 14, 17) sunt închise.
2. Asigurați-vă că pomparea aburului este oprită, pentru aceasta rotiți mânerul (5) în sensul acelor de ceasornic până la capăt.
3. Preparați o soluție de acid citric: 2 lingurițe la 1 litru de apă și turnați soluția obținută în rezervorul de apă (3). Montați rezervorul (3) la loc.
4. Instalați filtrul de cafea (6) în susținător (12), reunind ieșitura filtrului (6) cu orificiul susținătorului (12) și rotiți filtrul (6) în sensul/în sens invers acelor de ceasornic.
5. Montați filtrul de cafea în cafetieră. Ieșiturile susținătorului (12) trebuie să coincidă cu canelurile boilerului, după care rotiți mânerul susținătorului de filtru (8) spre dreapta până la capăt.
6. Așezați o cană potrivită pe capacul tăvii (10).
7. Introduceți ștecherul în priză.
8. Porniți cafetiera apăsând butonul ON/OFF (17), becul indicator (16) se va aprinde.
9. Apăsăți butonul (13) și umpleți ceașca cu aproximativ 100 ml de apă (acest lucru este necesar pentru a înlătura apa din boiler și a-l umple cu soluția de acid citric) opriți pomparea apei apăsând încă o dată butonul (13).
10. Așteptați până se va aprinde becul indicator (15) după care porniți pomparea apei apăsând butonul (13) și umpleți

# ROMÂNĂ

- ceașca cu aproximativ 100 ml de apă, apăsați încă o dată butonul (13) pentru a porni pomparea apei, goliți ceașca de apă.
- După ceva timp repetați procedura descrisă în punctul 10 și umpleți încă o dată ceașca cu un volum de 100 ml de apă.
  - Apăsați butonul de pompare a aburilor (14), așteptați până se va aprinde becul indicator 15. Așezați sub tubul vaporizator (7) un vas potrivit și întredeschideți pomparea aburului rotind mânerul reglорului (5) în sens invers acelor de ceasornic. Rotiți cu grijă mânerul reglорului (5) în poziția de ieșire maximală a aburului, scoateți aburul aproximativ 1 minut, închideți aburul rotind mânerul reglорului (5) în sensul acelor de ceasornic până la capăt, opriți pomparea aburului apăsând butonul (14).
  - Opriți cafetiera apăsând butonul (17). Așteptați 10-15 minute.
  - Realizați punctele 10 și 11 de cel puțin 3 ori.
  - Repetăți curățirea canalelor de evacuare a aburilor descrisă în punctul 12.
  - Cu mici întreruperi repetați procedura de curățare a boilerului (punctul 10) până la terminarea soluției de acid citric din rezervor.
  - Porniți cafetiera apăsând butonul (17) ON/OFF.
  - Umpleți rezervorul (3) cu apă curată până la nivelul maxim și realizați punctele 10, 12 de cel puțin 3 ori fără a face întreruperi de 10-15 minute.
  - Porniți cafetiera apăsând butonul (17) ON/OFF.

## Remarcă:

- Pentru a elimina depunerile minerale puteți folosi produse speciale detartrante respectând instrucțiunile de utilizare.

## CURĂȚIREA

- Curățirea filtrului (6): filtrul poate fi spălat în mașina de spălat vase. Dacă orificiile sunt astupate cu reziduuri de cafea măcinată puteți să le curățați cu o perie mică.
- Ștergeți corpul cafetierei cu o cârpă moale umezită. Nu folosiți perii metalice sau agenți de curățare abrazivi.
- Nu introduceți cafetiera în apă sau în alte lichide.
- Spălați piesele detașabile ale cafetierei în apă caldă cu agent de curățare delicat, clătiți-le și uscați-le.

## Tava pentru picături (9)

- Scoateți grilajul (10) de pe tava (9), scoateți tava (9) și goliți apa din aceasta, instalați tava la loc, fixați grilajul pe tava. În caz de necesitate spălați tava (9) și grilajul (10) în apă cu agent de curățare delicat, clătiți și uscați.

## Probleme de funcționare și soluțiile pentru înlăturarea acestora

Problema	Cauze	Soluții
Cafetiera nu funcționează deloc	Lipsește curentul în rețeaua de alimentare. Ștecherul de la cordonul de alimentare nu este introdus corect în priză.	Asigurați-vă dacă priza este funcțională. Verificați dacă ștecherul este introdus corect în priză.
Apa se scurge pe la baza cafetierei	Tava pentru picături este plină cu apă.	Goliți tava de apă.



Apa se scurge din susținătorul de filtru	Filtrul nu aderă la garnitura de etanșare a boilerului, există surplus de cafea pe marginile filtrului.	Eliminați surplusul de cafea de pe marginea filtrului.
Cafeaua preparată are un iz străin	Nu s-a curățit corect aparatul după eliminarea depunerilor minerale în boilerul cafetierei  Depozitarea incorectă a cafelei	Urmați instrucțiunile din capitolul „Pregătirea pentru utilizare”, „Înlăturarea depunerilor minerale” și efectuați-le de câteva ori.  Folosiți cafea proaspăt măcinată. Depozitați cafeaua într-un loc uscat răcoros.
Aburul nu produce spuma dorită	Temperatura joasă a aburului  Vasul este prea mare ori forma nu este corespunzătoare  Ați folosit lapte degresat	Numai după ce indicatorul (15) s-a aprins se poate folosi aburul pentru a face spumă.  Pentru baterea laptelui folosiți vase înalte și înguste  Utilizați numai lapte integral cu o grăsime de 4-6%.

## DESTINAT UZULUI CASNIC

Nu conține părți interschimbabile.

### Informații tehnice

Tensiune: 230 V ~ 50 Hz

Putere: 1050 W

*Producătorul îi rezervează dreptul de a schimba caracteristicile aparatelor fără anunțare prealabilă.*

**Termenul de exploatare a aparatului – 5 ani.**

### Garanție

În legătură cu oferirea garanției pentru produsul dat, rugăm să Vă adresați la distribuitorul regional sau la compania, unde a fost procurat produsul dat. Serviciul de garanție se realizează cu condiția prezentării bonului de plată sau a oricărui alt document financiar, care confirmă cumpărarea produsului dat.

**CE** Acest produs corespunde cerințelor EMC, întocmite în conformitate cu Directiva 89/336/EEC și Directiva cu privire la electrosecuritate/joasă tensiune (73/23 EEC).

## KÁVOVAR ESPRESSO/ KAPPUČINO

### POPIS

- 1 – Korpus kávovaru
- 2 – Víko nádrže pro vodu
- 3 – Snímatelní nádrž pro vodu
- 4 – Plocha pro ohřev šáleků
- 5 – Rukověť regulátoru dodávky páry
- 6 – Filtr pro kávu
- 7 – Trubička-kapučinator se špičkou
- 8 – Rukověť držáku filtru
- 9 – Podstavec pro kapky
- 10 – Víko palety
- 11 – Boční držák filtru
- 12 – Držák filtru
- 13 – Připínáček dodávky vody
- 14 – Připínáček dodávky páry
- 15 – Indikátor pohotovosti
- 16 – Indikátor zapojení obvodu napájení
- 17 – Tlačítko zapojení/vypnutí (ON/OFF)
- 18 – Odměrní lžice s těsněním mleté kávy

### DŮLEŽITÉ BEZPEČNOSTNÍ OPATŘENÍ

**Při** používání elektrických přístrojů nutno vždy držet základních bezpečnostních opatření, včetně:

- Pozorně pročtete všichni předpisy.
- Použijte kávovar jen do jeho přímého účelu.
- Přesvědčte se, že napětí elektrické sítě odpovídá napětí, stanoveném na korpusu vybavení.
- Použijte síťovou zásuvku se spolehlivým kontaktem uzemnění.
- V zamezení rizika vzniku požáru nepoužívejte mezikusů při připojení přístroje do elektrické zásuvky.
- Ne spouštějte kávovar bez vody.
- Použijte jen příslušenství, patřící do kompletu dodávky.
- Před spouštěním kávovaru se přesvědčte, že všichni snímatelné prvky nastavení správně.
- Ne dotýkejte se teplých částí i povrchů kávovaru.
- Buďte se opatrní během práce s vycházející párou.

- Nesmí se snímat držitel filtru uprostřed práci kávovaru.
- Vypustíte páru z trubky-kapučinatoru před sejmutím držáku filtru.
- Nastavujte vybavení na rovný stálý povrch.
- Ne nechávejte pracující přístroj bez dozoru, buďte zejména pozorný, pokud blízko od pracujícího přístroje jsou děti nebo osoby s omezenými možnostmi.
- V zamezení požáru, úderu elektrického proudu nebo fyzických poškození ne ponořujte vidlice síťové šňůry, síťovou šňůru nebo korpus kávovaru ve vodu nebo další kapaliny.
- Vždy odpojuje kávovar od elektrické sítě, kdy on ne používá se, nebo před čištěním.
- Pro odpojení kávovaru od sítě vložte všichni tlačítka ovládaní do polohy „vypnuto“, a potom vytáhnete síťovou vidlici ze zásuvky.
- Dbejte toho, aby síťová šňůra ne skláněla se nad kraj stolu i ne dotýkala se s horkými povrchy.
- Ne stavte kávovar na horký povrch.
- Nepoužívejte kávovar s poškozením vidlice síťové šňůry, defektní síťovou šňůrou, v případě jeho nesprávně práce nebo za jakýchkoliv závad.
- Nesmí se samostatně opravovat kávovar, pro opravu obraťte se v nejbližší autorizovaní servisní středisko.
- Nepoužívejte kávovar vně prostorů.
- Nikdy ne nenechávejte kávovar v místech s teplotou nižší od 0°C.
- Jen pro domácí použití.
- Definovaný přístroj ne je určen pro použití dětí a lidí s omezenými možnostmi, pokud jim ne byli udělení vyhovující a jasně jim směrnici o bezpečném používání vybavení a těch nebezpečí, které mohou vznikat při jeho nesprávném použití osobou, odpovídající za jejich bezpečnost.
- Ne dovolujte dětem využívat přístroj jako hračku

## ZACHOVEJTE TUTO INSTRUKCI

### PŘÍPRAVA DO PRÁCE

- Přesvědčte se, že všichni tlačítka ovládaní (13, 14, 17) jsou ve vypnuté pozici.
- Přesvědčte se, že přívod páry uzavřený, proto obraťte rukověť (5) ve směru hodinových ručiček na doraz
- Před prvním použitím kávovaru vypřete všichni její snímatelné části teplou vodou i usušíte.
- Před spuštěním se přesvědčte, že napětí elektrické sítě odpovídá napětí, stanoveném na korpusu vybavení.
- Svlečte nádrž (3), naplníte její je chladnou vodou do značky MAX i vložte na místo.
- Vložte filtr pro kávu (6) v držák (12), sloučiv výběžek na filtru (6) se zářezem v držáku (12) i obraťte filtr (6) do/proti hodinové ručičce.
- Vložte držák filtru v kávovar. Výstupky držáku (12) musí shodnout se s drážkou na bojleru, a poté obraťte rukověť držáku filtru (8) do právě strany na doraz.
- Umístěte vyhovující šálek na víko palety (10).
- Vložte vidlice síťové šňůry do zásuvky
- Zapněte kávovar klepnutím tlačítka ON/OFF (17), přitom vzplane indikátor (16).
- Pro naplnění vodou bojleru klepněte tlačítko (13) přes 15-20 sekund nebo při prvních příznaku oblevení vody v šálku, vypnete dodávku vody, ještě jednou stisknův tlačítko (13).
- Dočkejte, kdy vzplane indikátor (15), nato zapněte dodávku vody, stisknutím tlačítka (13), po naplnění šálku vodou, ještě jednou klepněte tlačítko (13) pro vypnutí dodávky vody, sced'te vodu ze šálku. Podle velikosti šálku vykonějte tuto proceduru několikrát, nato boiler bude promytý.

### Pozor !

- Nesmí se snímat držák filtru (12) při stlačeních připínáčků (13), (14)

- Ne demontuje držák filtru (12) vzápětí za připravování kávy, protože uvnitř filtru je možný přetlak vody i páry, dočkejte chlazení kávovaru.
- Pro sejmutí držáku filtru (12) obraťte rukověť do levé strany i svlečte držák.

### PŘÍPRAVA KÁVY ESPRESSO

- Přesvědčte se, že všichni tlačítka ovládaní (13, 14, 17) jsou ve vypnuté pozici.
- Přesvědčte se, že přívod páry uzavřený, proto obraťte rukověť (5) ve směru hodinových ručiček na doraz.
- Svlečte nádrž (3), naplníte její je chladnou vodou do značky MAX i vložte na místo.
- Vložte filtr pro kávu (6 nebo 19) v držák (12), sloučiv výběžek na filtru (6) se zářezem v držáku (12) i obraťte filtr (6) do/proti hodinové sloučiv.
- Nasyp'te mletou kávu do filtru (6): 2 plně měřící lžice - pro připravení dvou šálků kávy a 1 měřící lžici - pro připravení jednoho šálku kávy, lehce udupejte mletou kávu zpáteční stranou měrně lžice (18).
- Vložte držák filtru do kávovaru. Výběžky držáku (12) musí shodnout se s drážkou na bojleru, a poté obraťte rukověť držáku filtru (8) do právě strany na doraz.
- Umístěte jeden nebo dva šálků na víko palety (10).
- Vložte vidlice síťové šňůry v zásuvku.
- Zapněte kávovar klepnutím tlačítka (17) ON/OFF, přitom vzplane indikátor (16).
- Dočkejte, kdy vzplane indikátor (15), kávovar hotový pro vaření kávy.
- Zapněte dodávku vody, stisknutím tlačítka (13), pozorujte za procesem naplnění šálků připravenou kávu, ještě jednou klepněte tlačítko (13) pro vypnutí dodávky vody.
- Odpojíte kávovar, stisknutím tlačítka (17) ON/OFF, indikátor (16) zhasne.
- Dočkejte vychlazení kávovaru a svlečte držák filtru (12) obraťte rukověť do levé strany.

Odstraníte pozůstatky mleté kávy i promyjte filtr (6).

## **Poznámka:**

- Užívané šálky nutno předběžně nahřát, v době ohřevu vody v bojleru, vložte šálky na plochu (4).
- Při neodkladné nutnosti zrušení držáku filtru, nutno snížit tlak v bojleru, vypněte kávovar stisknutím tlačítka (17) ON/OFF, podložte pod trubičku-kapučinátor vyhovující šálek i lehce poodhalíte dodávku páry, otočením regulátoru (5) proti hodinové ručičky, za vypouštění tlaku v bojleru, svezte držák filtru (12).

## **PŘÍPRAVA KAPUČINO**

**Pozor !** Mějte obavy spálenin od vycházející hořké páry.

- Přesvědčte se, že rukověť regulátoru páry (5) je v pozici « přívod páry vypnutý ».
- Uvařte kávu, jak popsané v části « **PŘÍPRAVA ESPRESSO** », v šálku, velikosti, v které bude dost prostoru pro dobavení šlehaného škrálopu nebo smetany.
- Klepněte tlačítko dodávky páry (14), dočkejte, kdy indikátor (15) vzplane. Podložte pod trubičku-kapučinátor (7) každou se vyhovující nádrž pro sbírání vody. Obezřetně obraťte proti směru hodinových ručiček rukověť dodávky páry (5) na čtvrt zvratu pro odstranění kondenzátu, zbývajícího v parní trubičce. Za odstranění kondenzátu uzavřete dodávku páry, otočiv rukověť (5) ve směru hodinových ručiček na doraz.

**Poznámka: z držáku filtrů (12) nebo z parní hubice může vyjít trošek vody nebo páry, to je normální jev.**

- Stahujte trubička-kapučinátor (7) v sklenici se studením mlékem nebo smetanou, obezřetně obraťte rukověť regulátoru dodávky páry (5) proti směru hodi-

nových ručiček na čtvrt zvratu nebo víc. Trubička-kapučinátor nemusí dotýkat se dna sklenici, jinak východ páry bude těžký, pro získání husté pěny dost několik sekund.

- Uzavřete dodávku páry, otočiv rukověť (5) ve směru hodinových ručiček na doraz.
- Odpojte dodávku páry, znovu stiskněte tlačítko dodávky páry (14).
- Odpojte kávovar stisknutím tlačítka (17) ON/OFF, indikátor (16) zhasne.

## **Důležité:**

- Důležité, aby mléko, používané pro přípravování škrálopu, bylo čerstvým i bez konzervačních prostředků, totiž ne tak zvané mléko trvalého skladování. Užívám obvykle plnotučné mléko masnotou od 4 do 6%, masnota smetany má být neméně 10%.
  - Bezprostředně po šlehaní mléka nebo smetany pročistíte trubičku-kapučinátor (-7)
  - proto stahujte trubičku-kapučinátor (7) v sklenici s vodou, zapněte dodávku páry, stisknutím tlačítka (14) i obraťte rukověť dodávky páry (5) proti směru hodinových ručiček, aby vyrobil malé množství páry, nato uzavřete dodávku páry i vypněte kávovar. - Dočkejte chlazení kávovaru a svezte násadec s trubky-kapučinátora (7), propasíruje trubičku-kapučinátor zvenku vlhkou měkkou látkou, sám násadec vysladíte pod tekoucí vodou.
  - Při silném zacpaní trysky trubky-kapučinátora (7), svezte s trubky kryt, vezměte si měřicí lžičce (18) (na lžičce je šestihraný otvor sloužící klíči pro odšroubování trysky trubky-kapučinátora), odšroubujte hubice směrem hodinové ručičky, vysladíte hubice i vložte jí na místo, lehce zatáhnete pomocí měřicí lžičce (18).
- Poznámka:**
- opakovací příprava kávy doporučuje se vykonávat s intervalem neméně 5 minut.

## NAHŘÍVÁNÍ NÁPOJŮ

Vy můžete ohřát nápoje, stáhnuv trubičku-kapučinátor (7) bez plastového nadstavce do šálku.

- Klepněte tlačítko dodávky páry (14), dočkejte, kdy indikátor (15) vzplane.
- Stahujte trubička-kapučinátor (7) bez plastového nadstavce v šálek c nápoji, který vy chcete ohřát, obezřetně obraťte rukověť regulátoru dodávky páry (5) proti směru hodinových ručiček.
- Uzavřete dodávek páry, otočiv rukověť (5) ve směru hodinových ručiček na doraz.
- Opojte dodávku páry, znovu stisknův tlačítko dodávky páry (14).
- Vypnete kávovar stisknutím tlačítka (17) ON/OFF, indikátor (16) zhasne.

**Poznámka: z držáku filtrů (12) nebo z parních trysky může vyjít trošek vody nebo dvojice, to je normální jev.**

## JAK DOSTANE SE DOBRÝ ESPRESSO

- Použijte svěží mletou kávu, určenou pro kávovary « espresso ».
- Lehce udupejte mletou kávu ve filtru (o6), to je lze udělat zpátečním koncem měřící lžici (18).
- Síla získávané kávy bude záviset od kvality i stupně výmlatu kávových zrn. Pokud káva natéká příliš dlouho, to znamená, že káva velmi mělkého výmlatu nebo až moc silně udupána.

## ODSTRANĚNÍ USAZENINY

Pro efektivní práce kávovaru se doporučuje provádět odstranění usazeniny každé 2-3 měsíce, a při použití « tvrdě » vody, častěji.

1. Přesvědčte se, že všichni tlačítka ovládaní (13, 14, 17) jsou ve vypnute pozice.
2. Přesvědčte se, že přívod páry uzavřen, proto obraťte rukověť (5) ve směru hodinových ručiček na doraz.
3. Připravte roztok citrónové kyseliny: 2 čajové lžice na 1 litr vody i zalijte získaný roztok do rezervoáru (3). Vložte rezervoár (3) na místo.
4. Vložte filtr pro kávu (6) v držák (12), sloučením výběžek na filtru (6) se zářezem v držáku (12) i obraťte filtr (6) do/proti hodinový ručičky.
5. Vložte držák filtru do kávovaru. Výběžky držáku (12) musí shodnout se s drážkou na bojleru, a poté obraťte rukověť držáku filtru (8) do právici na doraz.
6. Umístěte vyhovující šálek na víko palety (10).
7. Vložte vidlice síťové šňůry v zásuvku.
8. Zapněte kávovar klepnutím tlačítka ON/OFF (17), přitom vzplane indikátor (16).
9. Klepněte tlačítko (13) i naplníte vodou šálek kapacitou kolem 100 mililitrů (to je nutné proto, aby odvodnit bojler i zaplnit jeho roztokem citrónový kyseliny), pro vypnutí dodávky vody, ještě jednou stisknete na tlačítko (13).
10. Dočkejte, kdy vzplane indikátor (15), nato zapněte dodávku vody, stisknutím tlačítka (13) i naplníte šálek kapacitou kolem 100 mililitrů, ještě jednou klepněte tlačítko (13) pro spouštění dodávky vody, sced'te vodu ze šálku.
11. Přes nějakou dobu opakujte úkon, popsany v stanovišti 10, i naplníte ještě jednou šálek kapacitou kolem 100 ml.
12. Klepněte tlačítko dodávky páry (14), dočkejte, kdy indikátor (15) vzplane. Podložte pod trubičku-kapučinátor (7) vyhovující nádobi i poodhalíte dodávku páry, otočiv rukověť regulátoru (5) proti směru hodinových ručiček. Opatrně obraťte rukověť regulátoru (5) v polohu maximálního východu páry, vypouštějte páru přibližně 1 minutu, uzavřete páru, otočiv rukověť regulátoru (5) ve směru hodinových ručiček na doraz, vypnete dodávku páry, stisknutím tlačítka (14).
13. Vypnete kávovar, stisknutím tlačítka (17). Čekajte 10 - 15 minut.

14. Vykonejte články 10 a 11 ne méně 3 raz.
15. Opakujte čištění kanálů východu páry, popsaného v stanovišti 12.
16. S ne velkým přerušením, opakuje úkon čištění bojleru (stanoviště 10) do úplného skončení roztoku citrónový kyseliny v nádržce.
17. Zapněte kávovar, stisknutím tlačítka (17) ON/OFF.
18. Naplníte nádrž (3) čistou vodou do maximálně úrovní a opěťujte splnění článků 10, 12 neméně 3 rázy, bez 10-15 minutového přerušení.
19. Zapněte kávovar, stisknutím tlačítka (17) ON/OFF.

#### Poznámka:

- pro odstranění usazeniny lze využít speciální prostředky na odstranění usazenin, přísně se řídit předpisy pro jejich použití.

#### ČIŠTĚNÍ

- čištění filtru (6): filtr lze umýt v myčce pro nádoby. Pokud otvory jsou zacpané osazováním mleté kávy, vy můžete očistit jejich malým kartáčem.
- Prošlapujte těleso kávovaru měkkou vlhkou látkou. Nepoužívejte kovové kartáče i brousící mycí prostředky.
- nesmí se ponořovat korpus kávovaru ve vodu nebo další kapaliny.
- Snímatelné detaily kávovaru promývejte teplou vodou s měkkým pracím prostředkem, spláchnete i vysušíte je.

#### Podstavec pro kapky (9)

- Svléčte mříže (10) s palety (9), svlečte podstavec (9) i sced'te z něj vodu, vložte podstavec na místo, vložte mříže na podstavec. V případě nutnosti podstavec (9) i mříže (10) lze vyprat vodou s měkkým pracím prostředkem, spláchnout i vysušit.

#### Poškození, jejich důvody i metody opravy

Porucha	Důvod	Metoda opravy
Kávovar ne spouští	V síťové zásuvce chybí napětí. Vidlice síťové šňůry ne do konce namontovaný do zásuvky.	Přesvědčte se, že síťová zásuvka pracuje. Přesvědčte se, do konce zda namontovaná vidlice do zásuvky.
Voda vytéká z dolejší části kávovaru	Podstavec pro vody je přeplněný.	Sced'te vodu z palety
Prosakování kávy z držáku filtru	Ne těsné přiléhání filtru do těsnění v bojleru, mletá káva se dostala na okraje filtru.	Očistěte okraje filtry.
Upravená káva má nepovolanou vůni	Nesprávný proces odstranění usazeniny v bojleru kávovaru.  Špatné uschování kávy	Obraťte se k oddílu « Příprava k práci », « Odstranění usazeniny », i splnit je několikrát.  Použijte čerstvě mletou kávu. Chraňte kávu v suchém chladném místě.

Pára ne šleha mléko	<p>Nízká teplota vycházející páry</p> <p>Nádrž nadměrná nebo ne vyhovující kapacitě</p> <p>Vy použily odtučněné mléko</p>	<p>Šlehejte mléko jen poté, jak vzplane indikátor (15).</p> <p>Pro šlehání mléka, použijte těsně vysoké nádoby</p> <p>Použijte jen plnotučné mléko, mastnotou 4-6%.</p>
---------------------	---	---

## JEN PRO DOMACÍ VYUŽITÍ

Ne obsahuje nahraditelných částí.

### Technická data

Napětí napájení: 230 v ~ 50 Hz

Spotřeba: 1050 W

*Výrobce si vyhrazuje právo měnit charakteristiky přístroj bez předběžného oznámení.*

### Životnost přístroje - 5 let

### Záruka

Podrobné záruční podmínky poskytne prodejce přístroje. Při uplatňování nároků během záruční lhůty je třeba předložit doklad o zakoupení výrobku.



*Tento výrobek odpovídá požadavkům na elektromagnetickou kompatibilitu, stanoveným direktivou 89/336/EEC a předpisem 73/23/EEC Evropské komise o nízkonapěťových přístrojích.*

## КАВОВАРКА ЕСПРЕСО/КАПУЧЧІНО

### ОПИС

- 1– Корпус кавоварки
- 2– Кришка ємності для води
- 3– Знімна ємність для води
- 4– Поличка для підігріву чашок
- 5– Ручка регулятора подачі пари
- 6– Фільтр для кави
- 7– Трубка-капуччинатор з наконечником
- 8– Ручка тримача фільтру
- 9– Піддон для капелів
- 10– Кришка піддону
- 11– Фіксатор фільтру
- 12– Тримач фільтру
- 13– Кнопка подачі води
- 14– Кнопка подачі пари
- 15– Індикатор готовності
- 16– Індикатор вмикання живлення
- 17– Кнопка вмикання/вимикання (ON/OFF)
- 18– Мірна ложка з ущільнювачем змеленої кави

### ВАЖЛИВІ ЗАХОДИ БЕЗПЕКИ

Користуючись електричними приладами слід завжди дотримуватись основних заходів безпеки, а саме:

- Уважно прочитайте всі інструкції.
- Використовуйте кавоварку лише за її безпосереднім призначенням.
- Переконайтесь, що напруга в електричній мережі відповідає напрузі, зазначеній на корпусі пристрою.
- Використовуйте мережну розетку з надійним контактом заземлення.
- Щоб уникнути ризику виникнення пожежі, не користуйтеся перехідниками, підключаючи прилад до розетки.
- Не вмикайте кавоварку без води.
- Використовуйте лише приладдя, яке входить до комплекту поставки
- Перед ввімкненням кавоварки переконайтесь, що всі знімні деталі встановлені правильно.
- Не торкайтесь гарячих частин та поверхонь кавоварки.

- Будьте обережними під час роботи з паром, що виходить.
- Забороняється знімати тримач фільтру під час роботи кавоварки.
- Дайтевийти паріз трубки-капуччинатора перед тим, як зняти тримач фільтру.
- Встановіть пристрій на рівну, стійку поверхню.
- Не залишайте пристрій, що працює, без нагляду; будьте особливо уважними, якщо поблизу біля ввімкненого приладу знаходяться діти або особи з обмеженими можливостями.
- Щоб уникнути пожежі, враження електричним струмом або фізичних пошкоджень, не занурюйте вилку мережного шнура, мережний шнур чи корпус кавоварки у воду або в інші рідини.
- Завжди від'єднуйте кавоварку від електричної мережі, коли ви нею не користуєтесь або перед очищенням.
- Щоб вимкнути кавоварку з мережі, встановіть всі кнопки контролю у вимкнене положення, потім витягніть мережну вилку з розетки.
- Слідкуйте, щоб мережний шнур не звішувався над краєм стола та не торкався гарячих поверхонь.
- Не ставте кавоварку на гарячі поверхні.
- Не користуйтеся кавоваркою з пошкодженою вилкою мережного шнура, пошкодженням мережним шнуром, якщо прилад працює неправильно або був пошкоджений.
- Забороняється самостійно ремонтувати кавоварку; для ремонту зверніться до найближчого авторизованого сервісного центру
- Не використовуйте кавоварку поза приміщенням.
- Забороняється залишати кавоварку в місцях з температурою нижче 0°C.
- Тільки для домашнього використання.
- Даний прилад не призначений для користування дітьми або людьми з



обмеженими можливостями, якщо лише їм не надані відповідні і зрозумілі інструкції по безпечному користуванню приладом і тими небезпечними ситуаціями, які можуть виникнути при неправильному його використанні особою, яка відповідає за їх безпеку.

- Не дозволяйте дітям користуватися приладом в якості іграшки.

## ЗБЕРЕЖІТЬ ЦЮ ІНСТРУКЦІЮ

### ПІДГОТОВКА ДО РОБОТИ

- Переконайтесь, що всі кнопки керування (13, 14, 17) знаходяться у вимкненому положенні.
- Переконайтесь, що подача пари закрита, для цього поверніть ручку (5) за годинниковою стрілкою до упору.
- Перед першим використанням кавоварки промийте всі її знімні частини теплою водою та просушіть.
- Переконайтесь, що напруга в електричній мережі відповідає напрузі, зазначеній на корпусі пристрою.
- Зніміть ємність (3), наповніть її холодною водою до відмітки MAX та встановіть на місце.
- Вставте фільтр для кави (6) в тримач (12), сумістіть виступ на фільтрі (6) з прорізом в тримачі (12) та поверніть фільтр (6) за/проти годинникової стрілки.
- Встановіть тримач фільтра в кавоварку. Виступи тримача (12) повинні співпадати з пазами на бойлері, далі поверніть ручку тримача фільтра (8) в праву сторону до упору.
- Поставте чашку на кришку піддону (10).
- Вставте вилку мережного шнура в розетку.
- Щоб ввімкнути кавоварку, натисніть кнопку ON/OFF (17), при цьому загориться індикатор.
- Щоб заповнити бойлер водою, натисніть кнопку (13) через 15-20

секунд або при перших ознаках появи води в чашці, припиніть подачу води, натиснувши повторно кнопку (13).

- Дочекайтесь, коли загориться індикатор (15), після цього включіть подачу води, натиснувши кнопку (13), після заповнення чашки водою, ще раз натисніть кнопку (13), щоб вимкнути подачу води, злийте воду з чашки. В залежності від об'єму чашки проведіть цю процедуру декілька разів, після чого бойлер буде промитий.

### УВАГА!

- Забороняється знімати тримач фільтру (12) при натиснутих кнопках (13), (14)
- Не знімайте тримач фільтру (12) зразу ж після приготування кави, так як всередині фільтра може бути надлишковий тиск води та пари, дочекайтесь вистигання кавоварки.
- Щоб зняти тримач фільтру (12), поверніть ручку в ліву сторону та зніміть тримач.

### ПРИГОТОВЛЕННЯ КАВИ ЕСПРЕСО

- Переконайтесь, що всі кнопки керування (13, 14, 17) знаходяться у вимкненому положенні.
- Переконайтесь, що подача пари закрита, для цього поверніть ручку (5) за годинниковою стрілкою до упору.
- Зніміть ємність (3), наповніть її холодною водою до відмітки MAX та встановіть на місце.
- Вставте фільтр для кави (6 або 19) в тримач (12), сумістіть виступ на фільтрі (6) з прорізом в тримачі (12) та поверніть фільтр (6) за/проти годинникової стрілки. Насипте мелену каву у фільтр (6): 2 повні мірні ложки - для приготування двох чашок кави та 1 повну ложку - для приготування однієї чашки кави, злегка утрамбуйте мелену каву зворотною стороною мірної ложки (18).
- Встановіть тримач фільтра в кавоварку.

# УКРАЇНСЬКИЙ

Виступи тримача (12) повинні співпадати з пазами на бойлері, далі поверніть ручку тримача фільтру (8) в праву сторону до упору.

- Поставте одну або дві чашки на кришку у піддону (10).
- Вставте вилку мережного шнура в розетку.
- Щоб ввімкнути кавоварку, натисніть кнопку ON/OFF (17), при цьому загориться індикатор (16).
- Дочекайтесь, поки загориться індикатор (15), кавоварка готова для готування кави.
- Ввімкніть подачу води, натиснувши кнопку (13), слідкуйте за процесом наповнення чашки звареною кавою, повторно натисніть кнопку (13), щоб вимкнути подачу води. Вимкніть кавоварку, натиснувши кнопку (17) ON/OFF, індикатор (16) згасне.
- Дочекайтесь вистигання кавоварки (12), поверніть ручку в ліву сторону. Видаліть залишки меленої кави і промийте фільтр (6).

## Примітка:

- Перед використанням чашки слід заздалегідь нагріти; під час нагрівання води поставте чашки на полицку (4).
- Якщо необхідно зняти тримач фільтру, спершу слід знизити тиск в бойлері, вимкнути кавоварку, натиснувши кнопку (17) ON/OFF, підставити під трубку-капуччинатор чашку та злегка відкрити подачу пари, повернувши регулятор (5) проти годинникової стрілки; скинувши тиск в бойлері, можна знімати тримач фільтру (12).

## ПРИГОТУВАННЯ КАПУЧЧІНО

**Увага!** Остерігайтеся опіків паром, що виділяється.

- Переконайтесь, що ручка регулятора пари (5) знаходиться в положенні "подача пари вимкнена".
- Приготуйте каву за описом розділу

"ПРИГОТУВАННЯ ЕСПРЕСО" в чашці, об'єм якої достатній, щоб вмістити добавлену збіту пінку молока або вершки.

- Натисніть кнопку подачі пари (14), дочекайтесь, коли індикатор (15) загориться. Підставте під трубку-капуччинатор (7) будь-яку придатну ємність для збирання води. Обережно поверніть проти годинникової стрілки ручку подачі пари (5) на чверть оберту для видалення конденсату, що залишився в паровій трубці. Видаливши конденсат, закрийте подачу пари поворотом ручки (5) за годинниковою стрілкою до упору.

**Примітка:** з тримача фільтру (12) або з парового сопла може вийти деяка кількість води або пари, це нормальне явище.

- Опустіть трубку-капуччинатор (7) в склянку з холодним молоком або вершками, обережно поверніть ручку регулятора подачі пари (5) проти годинникової стрілки на чверть оберту або більше. Трубка-капуччинатор не повинна торкатися склянки, інакше вихід пари буде утруднено; щоб одержати густу піну, досить декілька секунд.
- Закрийте подачу пари поворотом ручки (5) за годинниковою стрілкою до упору.
- Вимкніть подачу пари, повторно натиснувши кнопку подачі пари (14). Вимкніть кавоварку, натиснувши кнопку (17) ON/OFF, індикатор (16) згасне.

## Важливо:

- Важливо, щоб молоко, яке використовується для приготування пінки, було свіжим та без консервантів, тобто, а не молоко тривалого зберігання. Використовуємо звичайне незбиране молоко з жирністю від 4 до 6%, жирність вершків має бути щонайменше 10%.

- Зразу після збивання молока чи верхків прочистіть трубку-капучніатор (7) - для цього опустіть трубку-капучніатор (7) в склянку з водою, включіть подачу пари, натиснувши кнопку (14) і поверніть ручку подачі пари (5) проти годинникової стрілки, щоб випустити невелику кількість пари, потім закрийте подачу пари та вимкніть кавоварку. - Дочекайтесь вистигання кавоварки, зніміть наконечник з трубки-капучніатора (7), протріть трубку-капучніатор ззовні вогкою тканиною, сам наконечник промийте під струменем води.
- Якщо сопло трубки-капучніатора (7) дуже забите, зніміть з трубки ковпачок, візьміть мірну ложку (18) (на ложці є шестигранний отвір, який є ключем для викручування сопла трубки-капучніатора), викрутіть сопло за годинниковою стрілкою, промийте його і встановіть на місце, злегка затягнувши за допомогою мірної ложки (18).

### Примітка:

- Повторне приготування кави рекомендується здійснювати з інтервалами щонайменше 5 хвилин.

### ПІДІГРІВ НАПОЇВ

Ви можете підігрівати напої, опустивши трубку-капучніатор (7) без пластикового наконечника в чашку.

- Натисніть кнопку подачі пари (14), дочекайтесь, коли індикатор (15) загориться.
- Опустіть трубку-капучніатор (7) без пластикового наконечника в чашку з напоєм, який треба підігріти, обережно поверніть ручку регулятора подачі пари (5) проти годинникової стрілки.
- Закрийте подачу пари поворотом ручки (5) за годинниковою стрілкою до упору.
- Вимкніть подачу пари, повторно натиснувши кнопку подачі пари (14).

- Вимкніть кавоварку, натиснувши кнопку (17) ON/OFF, індикатор (16) згасне.

*Примітка: з тримача фільтру (12) або з парового сопла може вийти деяка кількість води або пари, це нормальне явище.*

### ЯК ОТРИМАТИ ДОБРЕ ЕСПРЕСО

- Використовуйте свіжу мелену каву, розраховану для кавоварок "еспресо".
- Злегка ущільніть мелену каву в фільтрі (6) за допомогою зворотного кінця мірної ложки (18).
- Міцність одержаної кави залежатиме від якості та ступені помелу кавових зерен. Якщо кава наливається надто довго, це значить, що вона дуже мілко змелена або надто ущільнена.

### ВИДАЛЕННЯ НАКИПУ

Для ефективної роботи кавоварки рекомендується видаляти накип через 2-3 місяці, а при використанні твердої води - частіше.

1. Переконайтесь, що всі кнопки керування (13, 14, 17) знаходяться у вимкненому положенні.
2. Переконайтесь, що подача пари закрита, для цього поверніть ручку (5) за годинниковою стрілкою до упору.
3. Приготуйте розчин лимонної кислоти: 2 чайні ложки на 1 літр води, залийте одержаний розчин в резервуар для води (3). Встановіть резервуар (3) на місце.
4. Вставте фільтр для кави (6) в тримач (12), сумістіть виступ на фільтрі (6) з прорізом в тримачі (12) та поверніть фільтр (6) за/проти годинникової стрілки.
5. Встановіть тримач фільтра в кавоварку. Виступи тримача (12) повинні співпадати з пазами на бойлері, далі поверніть ручку тримача фільтру (8) в праву сторону до упору.

# УКРАЇНСЬКИЙ

6. Поставте потрібну чашку на кришку піддону (10).
7. Вставте вилку мережного шнура в розетку.
8. Щоб ввімкнути кавоварку, натисніть кнопку ON/OFF (17), при цьому загориться індикатор.
9. Натисніть кнопку (13) та наповніть водою чашку об'ємом в межах 100 мл (це необхідно для того, щоб видалити воду з бойлера та заповнити його розчином лимонної кислоти), вимкніть подачу води, ще раз натиснувши на кнопку (13).
10. Дочекайтесь, коли загориться індикатор (15), після цього включіть подачу води, натиснувши кнопку (13), після заповнення чашки об'ємом біля 100 мл, ще раз натисніть кнопку (13), щоб вимкнути подачу води, злийте воду з чашки.
11. Згодом повторіть процедуру, описану в пункті 10, та повторно наповніть чашку об'ємом 100 мл.
12. Натисніть кнопку подачі пари (14), дочекайтесь, коли індикатор (15) загориться. Підставте під трубку-капучинатор (7) належну посудину та злегка відкрийте подачу пари, покрутивши ручку регулятора (5) проти годинникової стрілки. Обережно поверніть ручку регулятора (5) в положення максимального виходу пари, випускайте пару протягом 1 хвилини, закрийте пару, повернувши ручку регулятора (5) за годинниковою стрілкою до упору, вимкніть подачу пари, натиснувши кнопку (14).
13. Вимкніть кавоварку, натиснувши кнопку (17). Почекайте 10 - 15 хвилин.
14. Виконайте пункти 10 і 11 щонайменше тричі.
15. Повторіть процедуру очищення каналів, описану в пункті 12.
16. З невеликими перервами повторіть процедуру очищення бойлера (пункт 10) до повного розчину лимонної кислоти в резервуарі.
17. Ввімкніть кавоварку, натиснувши кнопку (17) ON/OFF.
18. Заповніть ємність (3) чистою водою до максимального рівня та повторіть пункти 10, 12 щонайменше тричі, не роблячи 10-15 хвилинної перерви.
19. Ввімкніть кавоварку, натиснувши кнопку (17) ON/OFF.

## Примітка:

- Для видалення накипу можна використовувати спеціальні засоби для видалення накипу, чітко дотримуючись інструкцій їх використання.

## ОЧИСТКА

- Очищення фільтра (6): фільтр можна помити в посудомийній машині. Якщо отвори забиті осадами меленої кави, ви можете почистити їх невеличкою щіткою.
- Протирайте корпус кавоварки м'якою вологою тканиною. Не використовуйте металічні щітки та абразивні мийні засоби.
- Забороняється занурювати корпус кавоварки у воду або інші рідини.
- Знімні деталі кавоварки промивайте теплою водою з м'яким мийним засобом, сполосніть та висушіть їх.

## Піддон для крапель (9)

- Зніміть решітку (10) з піддону (9), зніміть піддон (9) і злийте з нього воду, встановіть піддон на місце, встановіть решітку на піддон. В разі потреби піддон (9) і решітку (10) можна промити водою з м'яким мийним засобом, сполоснути та висушити.

## Несправності, їх причини та методи усунення

Несправність	Причина	Метод усунення
Кавоварка не включається	В мережній розетці відсутня напруга. Вилка мережного шнура не повністю вставлена в розетку.	Переконайтеся, що мережна розетка працює. Перевірте, чи повністю вставлена вилка в розетку.
Вода витікає з нижньої частини кавоварки	Піддон для води переповнений.	Злийте воду з піддону
Кава витікає з тримача фільтру	Фільтр нещільно прилягає до ущільнювача в бойлері, мелена кава попала на краї фільтру.	Очистіть краї фільтру.
Приготовлена кава має сторонній запах	Неправильний процес видалення накипу в бойлері кавоварки Неправильне зберігання кави	Зверніться до розділів “Підготовка до роботи”. “Видалення накипу” та повторіть їх кілька разів. Використовуйте свіжу мелену каву. Зберігайте каву в сухому прохолодному місці.
Пара не збиває молоко	Низька температура пари, що виходить Ємність надто велика або не відповідного розміру Ви використовуєте знежирене молоко	Збивайте молоко лише тоді, як загориться індикатор (15). Для збивання молока використовуйте вузьку високу посудину Використовуйте лише незбиране молоко жирністю 4-6%.

## ТІЛЬКИ ДЛЯ ДОМАШНЬОГО ВИКОРИСТАННЯ

Не містить замічних частин.

### Технічні дані

Напруга живлення: 230 В ~ 50 Гц

Споживана потужність: 1050 Вт

*Виробник залишає за собою право змінювати характеристики приладу без попереднього повідомлення.*

**Термін служби приладу – 5 років**

### Гарантія

Докладні умови гарантії можна отримати в дилера, що продав дану апаратуру. При пред'явленні будь-якої претензії протягом терміну дії даної гарантії варто пред'явити чек або квитанцію про покупку.

**CE** Даний виріб відповідає вимогам до електромагнітної сумісності, що пред'являються директивою 89/336/ЄЕС Ради Європи й розпорядженням 73/23 ЄЕС по низьковольтних апаратурах.

# БЕЛАРУСКІ

## КАВАВАРКА ЭСПРЭСА/ КАПУЧЫНА

### АПІСАННЕ

- 1 - Корпус кававаркі
- 2 - Накрыўка ёмістасці для вады
- 3 - Здымная ёмістасць для вады
- 4 - Плячоўка для падагрэву кубкаў
- 5 - Ручка рэгулятара падачы пары
- 6 - Фільтр для кавы
- 7 - Трубка-капучынатар з наканечнікам
- 8 - Ручка трымальніка фільтра
- 9 - Паддон для кропель
- 10 - Накрыўка паддона
- 11 - Фіксатар фільтра
- 12 - Трымальнік фільтра
- 13 - Кнопка падачы вады
- 14 - Кнопка падачы пары
- 15 - Індыкатар гатоўнасці
- 16 - Індыкатар уключэння сілкавання
- 17 - Кнопка ўключэння/выключэння (ON/OFF)
- 18 - Мерная ложка з ушчыльняльнікам молатай кавы

### ВАЖНЫЯ МЕРЫ ЗАСЦЯРОГІ

Пры карыстанні электрычнымі прыборамі неабходна заўсёды выконваць асноўныя меры засцярогі, у тым ліку:

- Уважліва прачытайце ўсе інструкцыі.
- Выкарыстоўвайце кававарку толькі па яе прамым прызначэнні.
- Пераканайцеся, што напружанне электрычнай сеткі адпавядае напружанню, паказанаму на корпусе прылады.
- Выкарыстоўвайце сеткавую разетку з надзейным кантактам зазямлення.
- У пазбяганні рызыкі ўзнікнення пажару не выкарыстоўвайце перахаднікі пры падлучэнні прыбора да электрычнай разетки.
- Не ўключайце кававарку без вады.
- Выкарыстоўвайце толькі прыналежнасці, якія ўваходзяць у камплект пастаўкі.
- Перад уключэннем кававаркі пераканайцеся, што ўсе здымныя дэталі ўсталяваны правільна.

- Не дакранайцеся да гарачых частак і паверхняў кававаркі.
- Будзьце асцярожныя падчас працы з выходзячай парай.
- Забараняецца здымаць трымальнік фільтра падчас працы кававаркі.
- Выпусціце пару з трубка-капучынатара перад здыманнем трымальніка фільтра.
- Усталёўвайце прыладу на роўную ўстойлівую паверхню.
- Не пакідайце працуючы прыбор без нагляду, будзьце асабліва ўважлівыя, калі паблізу ад працуючага прыбора знаходзяцца дзеці ці асобы з абмежаванымі магчымасцямі.
- У пазбяганні пажару, удару электрычным токам ці фізічных пашкоджанняў не апускайце вілку сеткавага шнура, сеткавы шнур ці корпус кававаркі ў ваду ці іншыя вадкасці.
- Заўсёды адключайце кававарку ад электрычнай сеткі, калі яна не выкарыстоўваецца ці перад чысткай.
- Для адключэння кававаркі ад сеткі ўсталюйце ўсе кнопкі кіравання ў выключанае становішча, а затым выміце сеткавую вілку з разетки.
- Сачыце за тым, каб сеткавы шнур не звешваўся над краем стала і не датыкаўся да гарачых паверхняў.
- Не стаўце кававарку на гарачыя паверхні.
- Не карыстайцеся кававаркай з пашкоджанай вілкай сеткавага шнура, пашкоджаным сеткавым шнуром, у выпадку яе няправільнай працы ці пасля любых пашкоджанняў.
- Забараняецца самастойна рамантаваць кававарку, для рамонтнага звяртання да аўтарызаванага сэрвіснага цэнтра.
- Не выкарыстоўвайце кававарку па-за памяшканнямі.
- Ніколі не пакідайце кававарку ў месцах з тэмпературай ніжэй 0°C.

- Толькі для хатняга выкарыстання.
- Дадзеная прылада не прызначана для выкарыстоўвання дзецьмі і людзьмі з абмежаванымі здольнасцямі, калі толькі ім не дадзены адпаведныя і зразумелыя інструкцыі аб бяспечным карыстанні прыладай і той небяспецы, якая можа ўзнікнуць пры яго няправільным выкарыстанні асобай, адказваючай за іх бяспечнасць.
- Не дазваляйце дзецям карыстацца прыладай у якасці цацкі.

## ЗАХАВАЙЦЕ ГЭТУ ІНСТРУКЦЫЮ

### ПАДРЫХТОЎКА ДА ПРАЦЫ

- Пераканайцеся, што ўсе кнопкі кіравання (13, 14, 17) знаходзяцца ў выключаным становішчы.
- Пераканайцеся, што падача пары зачынена, для гэтага павярніце ручку (5) па гадзіннікавай стрэлцы да ўпора.
- Перад першым выкарыстаннем кававаркі прамыйце ўсе яе здымныя часткі цёплай вадой і прасушыце.
- Перад уключэннем пераканайцеся, што напружанне электрычнай сеткі адпавядае напружанню, паказанаму на корпусе прылады.
- Зніміце ёмістасць (3), напоўніце яе халоднай вадой да адзнакі MAX і ўсталюйце на месца.
- Устаўце фільтр для кавы (6) у трымальнік (12), сумясціўшы выступ на фільтры (6) з прарэзам у трымальніку (12) і павярніце фільтр (6) па/супраць гадзіннікавай стрэлцы.
- Усталюйце трымальнік фільтра ў кававарку. Выступы трымальніка (12) павінны супасці з пазамі на бойлеры, пасля чаго павярніце ручку трымальніка фільтра (8) у правы бок да ўпора.
- Пастаўце падыходзячы кубак на накрыўку паддона (10).
- Устаўце вілку сеткавага шнура ў разетку.
- Уключыце кававарку націскам кнопкі ON/OFF (17), пры гэтым загарыцца індыкатар (16).
- Для запаўнення вадой бойлера націсніце кнопку (13) праз 15-20 секунд ці пры першых прыкметах з'яўлення вады ў кубку, выключыце падачу вады, яшчэ раз націснуўшы на кнопку (13).
- Дачакайцеся, калі загарыцца індыкатар (15), пасля гэтага ўключыце падачу вады, націснуўшы кнопку (13), пасля запаўнення кубка вадой, яшчэ раз націсніце кнопку (13) для выключэння падачы вады, зліце вадку з кубка. У залежнасці ад аб'ёму кубка правядзіце гэту працэдуру некалькі разоў, пасля гэтага бойлер будзе прамыты.

### Увага!

- Забараняецца здымаць трымальнік фільтра (12) пры націснутых кнопках (13), (14)
- Не здымайце трымальнік фільтра (12) адразу ж пасля падрыхтоўкі кавы, бо ўсярэдзіне фільтра можа быць залішні ціск вады і пары, дачакайцеся астывання кававаркі.
- Для здымання трымальніка фільтра (12) павярніце ручку ў левы бок і зніміце трымальнік.

### ПАДРЫХТОЎКА КАВЫ ЭСПРЭСА

- Пераканайцеся, што ўсе кнопкі кіравання (13, 14, 17) знаходзяцца ў выключаным становішчы.
- Пераканайцеся, што падача пары зачынена, для гэтага павярніце ручку (5) па гадзіннікавай стрэлцы да ўпора.
- Зніміце ёмістасць (3), напоўніце яе халоднай вадой да адзнакі MAX і ўсталюйце на месца.
- Устаўце фільтр для кавы (6 ці 19) у трымальнік (12), сумясціўшы выступ на фільтры (6) з прарэзам у трымальніку (12) і павярніце фільтр (6) па/супраць гадзіннікавай стрэлцы.
- Насыпце молатую кава ў фільтр (6): 2 поўныя мерныя лыжкі - для падрыхтоўкі

## БЕЛАРУСКІ

двух кубкаў кавы і 1 поўную лыжку - для падрыхтоўкі аднаго кубка кавы, злёгка ўтрамбуйце молатую кава зваротным бокам мернай лыжкі (18).

- Усталюйце трымальнік фільтра ў кававарку. Выступы трымальніка (12) павінны супасці з пазамі на бойлеры, пасля чаго павярніце ручку трымальніка фільтра (8) у правы бок да ўпора.
- Пастаўце адзін ці два кубкі на накрыўку паддона (10).
- Устаўце вілку сеткавага шнура ў разетку.
- Уключыце кававарку націскам кнопкі (17) ON/OFF, пры гэтым загарыцца індыкатар (16).
- Дачакайцеся, калі загарыцца індыкатар (15), кававарка гатовая для варкі кавы.
- Уключыце падачу вады, націснуўшы кнопку (13), сачыце за працэсам напаўнення кубка прыгатаванай кавай, яшчэ раз націсніце кнопку (13) для выключэння падачы вады.
- Адключыце кававарку, націснуўшы кнопку (17) ON/OFF, індыкатар (16) згасне.
- Дачакайцеся астывання кававаркі зніміце трымальнік фільтра (12), павярніце ручку ў левы бок. Выдаліце рэшткі молатай кавы і прамыйце фільтр (6).

### Заўвага:

- Выкарыстоўваемыя кубкі неабходна папярэдне нагрэць, падчас нагрэву вады ў бойлеры, усталюйце кубкі на пляцоўку (4).
- Пры экстранай неабходнасці здымання трымальніка фільтра, неабходна зменшыць ціск у бойлеры, выключыце кававарку націснуўшы кнопку (17) ON/OFF, падстаўце пад трубку-капучынатар падыходзячы кубак і злёгка прыадчыніце падачу пары, павярнуўшы рэгулятар (5) супраць гадзіннікавай стрэлкі, пасля спаду ціску ў бойлеры, зніміце трымальнік фільтра (12).

### ПАДРЫХТОўКА КАПУЧЫНА

**Ўвага!** Асцерагайцеся апёкаў выходзячай гарачай парай.

- Пераканайцеся, што ручка рэгулятара пары (5) знаходзіцца ў становішчы “падача пары выключана”.
- Зварыце каву, як апісана ў частцы “ПАДРЫХТОўКА ЭСПРЭСА”, у кубку, аб’ёму якой будзе досыць месца для дадання ўзбітай плеўкі малака ці слівак.
- Націсніце кнопку падачы пары (14), дачакайцеся, калі індыкатар (15) загарыцца. Падстаўце пад трубку-капучынатар (7) любую падыходную ёмістасць для збору вады. Асцярожна павярніце супраць гадзіннікавай стрэлкі ручку падачы пары (5) на чвэрць звароту для выдалення кандэнсату, пакінутага ў паравой трубцы. Пасля выдалення кандэнсату зачыніце падачу пары, павярнуўшы ручку (5) па гадзіннікавай стрэлцы да ўпора.

**Заўвага:** з трымальніка фільтра (12) ці з паравага сопла можа выйсці невялікая колькасць вады ці пары, гэта звычайная з’ява.

- Апусціце трубку-капучынатар (7) у шклянку з халодным малаком ці сліўкамі, асцярожна павярніце ручку рэгулятара падачы пары (5) супраць гадзіннікавай стрэлкі на чвэрць звароту ці больш. Трубка-капучынатар не павінна дакранацца дна шклянкі, інакш выйсце пары будзе абцяжарана, для атрымання густой пены будзе дастаткова некалькі секунд.
- Зачыніце падачу пары, павярнуўшы ручку (5) па гадзіннікавай стрэлцы да ўпора.
- Адключыце падачу пары, паўторна націснуўшы кнопку падачы пары (14).
- Адключыце кававарку, націснуўшы кнопку (17) ON/OFF, індыкатар (16) загасне.



## Важна:

- Важна, каб малако, выкарыстоўваемае для падрыхтоўкі плеўкі, было свежым і без кансервантаў, гэта значыць не так званае малако працяглага захоўвання. Выкарыстоўваемае звычайнае суцэльнае малако тлустасцю ад 4 да 6%, тлустасць слівак павінна быць не меней 10%.
- Адразу пасля ўзбівання малака ці слівак прачысціце трубку-капучынатар (7) - для гэтага апусціце трубку-капучынатар (7) у шклянку з вадой, уключыце падачу пары, націснуўшы кнопку (14) і павярніце ручку падачы пары (5) супраць гадзіннікавай стрэлкі, каб выпусціць невялікую колькасць пары, пасля гэтага зачыніце падачу пары і выключыце кававарку.
- Дачакайцеся астывання кававаркі і зніміце наканечнік з трубка-капучынатара (7), пратрыце трубку-капучынатара знадворку вільготнай мяккай тканінай, сам наканечнік прамыйце пад бруёй вады.
- Пры моцным запарушванні сопла трубка-капучынатара (7), зніміце з трубка каўпачок, вазьміце мерную лыжку (18) (на лыжцы маецца шасцігранная адтуліна, якая служыць ключом для адварочвання сопла трубка-капучынатара), адкруціце сопла па кірунку гадзіннікавай стрэлкі, прамыйце сопла і ўсталуйце яго на месца, злёгка зацягнуўшы пры дапамозе мернай лыжкі (18).

## Заўвага:

- Паўторную падрыхтоўку кавы рэкамендуецца вырабляць з інтэрваламі не меней 5 хвілін.

## ПАДАГРЭЎ НАПОЯЎ

Вы можаце падцяпліць напоі, апусціўшы трубку-капучынатара (7) без пластыкавага наканечніка ў кубак.

- Націсніце кнопку падачы пары (14),

дачкайцеся, калі індыкатар (15) загарыцца.

- Апусціце трубку-капучынатара (7) без пластыкавага наканечніка ў кубак з напоём, які вы жадаеце падцяпліць, асцярожна павярніце ручку рэгулятара падачы пары (5) супраць гадзіннікавай стрэлкі.
- Зачыніце падачу пары, павярнуўшы ручку (5) па гадзіннікавай стрэлцы да ўпора.
- Адключыце падачу пары, паўторна націснуўшы кнопку падачы пары (14).
- Адключыце кававарку, націснуўшы кнопку (17) ON/OFF, індыкатар (16) загасне.

Заўвага: з трымальніка фільтра (12) ці з паравага сопла можа выйсці невялікая колькасць вады ці пары, гэта звычайная з'ява.

## ЯК АТРЫМАЦЬ ДОБРАЕ ЭСПРЭСА

- Выкарыстоўвайце свая молатую кава, якая прызначана для кававарак “эспрэса”.
- Злёгка ўтрамбоўвайце молатую каву ў фільтры (6), гэта можна зрабіць зваротным канцом мернай лыжкі (18).
- Моцнасць атрыманай кавы будзе залежаць ад якасці і ступені памолу кававых зерняў. Калі кава наліваецца занадта доўга, гэта азначае, што кава вельмі дробнага памолу ці занадта моцна ўтрамбавана.

## ВЫДАЛЕННЕ НАКІПУ

Для эфектыўнай працы кававаркі рэкамендуецца праводзіць выдаленне накіпу кожныя 2-3 месяцы, а пры выкарыстанні “цвёрдай” вады, часцей.

1. Пераканаецца, што ўсе кнопкі кіравання (13, 14, 17) знаходзяцца ў выключаным становішчы.
2. Пераканаецца, што падача пары зачынена, для гэтага павярніце ручку (5) па гадзіннікавай стрэлцы да ўпора.

# БЕЛАРУСКІ

3. Прыгатуйце раствор цытрынавай кіслаты: 2 чайныя лыжкі на 1 літр вады і заліце атрыманы раствор у рэзервуар для вады (3). Усталойце рэзервуар (3) на месца.
4. Устаўце фільтр для кавы (6) у трымальнік (12), сумясціўшы выступна фільтры (6) з прарэзам у трымальніку (12) і павярніце фільтр (6) па/супраць гадзіннікавай стрэлцы.
5. Усталойце трымальнік фільтра ў кававарку. Выступы трымальніка (12) павінны супасці з пазамі на бойлеры, пасля чаго павярніце ручку трымальніка фільтра (8) у правы бок да ўпора.
6. Пастаўце падыходны кубак на вечка паддона (10).
7. Устаўце вілку сеткавага шнура ў разетку.
8. Уключыце кававарку націскам кнопкі ON/OFF (17), пры гэтым загарыцца індыкатар (16).
9. Націсніце кнопку (13) і напоўніце вадой кубак аб'ёмам каля 100 мл (гэта неабходна для таго, каб выдаліць ваду з бойлера і запоўніць яго растворам цытрынавай кіслаты), выключыце падачу вады, яшчэ раз націснуўшы на кнопку (13).
10. Дачакайцеся, калі загарыцца індыкатар (15), пасля гэтага ўключыце падачу вады, націснуўшы кнопку (13) і напоўніце кубак аб'ёмам каля 100 мл, яшчэ раз націсніце кнопку (13) для выключэння падачы вады, зліце ваду з кубка.
11. Праз некаторы час паўтарыце працэдуру, апісаную ў пункце 10, і напоўніце яшчэ раз кубак аб'ёмам каля 100 мл.
12. Націсніце кнопку падачы пары (14), дачакайцеся, калі індыкатар (15) загарыцца. Падстаўце пад трубку-капучынатар (7) падыходны посуд і прыадчыніце падачу пары, павярнуўшы ручку рэгулятара (5) супраць гадзіннікавай стрэлкі. З асцярожнасцю павярніце ручку рэгулятара (5) у становішча максімальнага выйсця пары, выпускайце пару прыблізна 1 хвіліну, зачыніце пару, павярнуўшы ручку рэгулятара (5) па гадзіннікавай стрэлцы да ўпора, выключыце падачу пары, націснуўшы кнопку (14).
13. Выключыце кававарку, націснуўшы кнопку (17). Пачакайце 10 - 15 хвілін.
14. Выканайце пункты 10 і 11 не меней 3 раз.
15. Паўтарыце ачыстку каналаў выйсця пары, апісаную ў пункце 12.
16. З невялікімі перапынкамі, паўтарыце працэдуру ачысткі бойлера (пункт 10) да поўнага канчатка раствора цытрынавай кіслаты ў рэзервуары.
17. Уключыце кававарку, націснуўшы кнопку (17) ON/OFF .
18. Запоўніце ёмістасць (3) чыстай вадой да максімальнага ўзроўня і зноў выканайце пункты 10, 12 не меней 3 раз, не робячы 10-15 хвіліннага перапынку.
19. Уключыце кававарку, націснуўшы кнопку (17) ON/OFF.

## Нататка:

Для выдалення накіпу можна выкарыстоўваць адмысловыя сродкі для выдалення шумавіння, строга выконваючы інструкцыі па іх выкарыстанні.

## ЧЫСТКА

- Чыстка фільтра (6): фільтр можна памыць у пасудамыйнай машыне. Калі адтуліны засмечаны асадкам молатай кавы, вы можаце пачысціць іх невялікай шчоткай.
- Працірайце корпус кававаркі мяккай вільготнай тканінай. Не выкарыстоўвайце металічныя шчоткі і абразіўныя мыйныя сродкі.

- Забараняецца апускаць корпус кававаркі ў ваду ці іншыя вадкасці.
- Здымныя дэталі кававаркі прамывайце цёплай вадой з мяккім мыйным сродкам, спаласніце і высушыце іх.
- усталюйце паддон на месца, усталюйце рашотку на паддон. Пры неабходнасці паддон (9) і рашотку (10) можна прамыць вадой з мяккім мыйным сродкам, спаласнуць і высушыць.

## Паддон для кропель (9)

- Зніміце рашотку (10) з паддона (9), зніміце паддон (9) і зліце з яго ваду,

## Няспраўнасці, іх прычыны і метады ўхілення

Няспраўнасць	Прычына	Метад ўхілення
Кававарка не ўключаецца	У сеткавай разетцы адсутнічае напруга. Вілка сеткавага шнура не да канца ўстаўлена ў разетку.	Пераканайцеся, што сеткавая разетка працуе. Праверце, ці да канца ўстаўлена вілка у разетку.
Вада выцякае з ніжняй часткі кававаркі	Паддон для вады перапоўнены.	Зліце ваду з паддона
Уцечка кавы з трымальніка фільтра	Фільтр не шчыльна прылягае да ўшчыльняльніка ў бойлеры, молатая кава патрапіла на краі фільтра.	Ачысціце краі фільтра.
Прыгатаваная кава мае старонні пах.	Няправільны працэс выдалення накіпу ў бойлеры кававаркі.  Няправільнае захоўванне кавы.	Звярніцеся да частак “Падрыхтоўка да працы”, “Выдаленне накіпу”, і выканайце іх некалькі разоў.  Выкарыстоўвайце свежамолатую каву. Захоўвайце каву ў сухім прахалодным месцы.
Пара не ўзбівае малако.	Нізкая тэмпература выходзільнай пары  Ёмістасць занадта вялікая ці не падыходнага памеру.  Вы выкарыстоўвалі абястлушчанае малако.	Узбівайце малако толькі пасля таго, як загарыцца індыкатар (15).  Для ўзбівання малака, выкарыстоўвайце вузкі высокі посуд.  Выкарыстоўвайце толькі суцэльнае малако, тлустасцю 4-6%.

## ТОЛЬКІ ДЛЯ ХАТНЯГА ВЫКАРЫСТАННЯ

Не ўтрымоўвае заменных частак.

# БЕЛАРУСКІ

## **Тэхнічныя дадзеныя**

Напруга сілкавання: 230 В ~ 50 Гц

Спажываная магутнасць: 1050 Вт

*Вытворца пакідае за сабой права змяняць характарыстыкі прыбора без папярэдняга паведамлення.*

**Тэрмін службы прыбора - 5 гадоў**

## **Гарантыя**

Падрабязнае апісанне умоў гарантыйнага абслугоўвання могуць быць атрыманы у таго дылера, ў якога была набыта тэхніка. Пры звароце за гарантыйным абслугоўваннем абавязкова павінна быць прад'яўлена купчая альбо квітанцыя аб аплаце.



*Дадзены выраб адпавядае патрабаванням ЕМС, якія выказаны ў дырэктыве ЕС 89/336/ЕЕС, і палажэнням закона аб прытрымліванні напружання (73/23 ЕС)*

## ESPRESSO/KAPPUCHINO QAHVA QAYNATGICHI

### ASOSIY QISMLARI

1. Qahva qaynatgich korpusi
2. Suv idish qopqog'i
3. Yechiladigan suv idish
4. Finjon qizitiladigan lavha
5. Bug' berish dastagi
6. Qahva filtri
7. O'rnatmali kapuchino naychasi
8. Filtr tutqichi dastagi
9. Tomchi tushadigan patnis
10. Patnis qopqog'i
11. Filtrni mahkamlagich
12. Filtr tutgichi
13. Suv quyish tugmasi
14. Bug' berish tugmasi
15. Qahva tayyor bo'lganini ko'rsatish chirog'i
16. Elektrga ulanganini ko'rsatish chirog'i
17. Ishlatish/o'chirish tugmasi (ON/OFF)
18. Maydalangan qahvani zichlovchi o'lchov qoshig'i

### MUHIM XAVFSIZLIK QOIDALARI

Elektr jihozlarini ishlatganda asosiy xavfsizlik qoidalariga amal qilish kerak, xususan quyida aytilganlarga albatta rioya qiling:

- Qo'llanmani oxirigacha, diqqat bilan o'qib chiqing.
- Qahva qaynatgichni faqat vazifasiga muvofiq ishlatib.
- Elektr tarmog'idagi kuchlanish jihoz ishlaydigan kuchlanishga to'g'ri kelishini tekshirib ko'ring.
- Jihozni yerga tutashgan rozetkaga ulang.
- Yong'in chiqmasligi uchun jihozni elektrga ulaganda o'tkazgich ishlatmang.
- Qahva qaynatgichni suvsiz ishlatmang.
- Faqat jihoz bilan qo'shib beriladigan vositalarnigina ishlatib.
- Qahva qaynatgichni ishlatishdan oldin yechiladigan qismlari to'g'ri qo'yilganini tekshirib ko'ring.

- Qahva qaynatgich yuzasiga va issiq qismlariga qo'l tekkizmang.
- Bug' chiqayotganda ayniqsa ehtiyot bo'ling.
- Qahva qaynatgich ishlayotganda filtr tutgichini yechish ta'qiqlanadi.
- Filtr tutgichini yechishdan oldin kappuchino naychasidagi bug' chiqarib yuborilishi kerak.
- Jihozni tekis va qo'zg'olmaydigan joyga qo'ying.
- Ishlayotgan jihozni qarovsiz qoldirmang, ishlayotgan jihoz yaqinida bolalar va imkoniyati cheklangan insonlar bo'lganda ayniqsa ehtiyot bo'ling.
- Yong'in chiqmasligi, tok urmasligi uchun yoki biror a'zo lat yemasligi uchun elektr vilkasi, elektr shnuri yoki qahva qaynatgich korpusini suvga yoki boshqa bir suyuqlikka solmaslik kerak.
- Ishlatilmayotgan vaqtda yoki tozalashdan oldin qahva qaynatgichni albatta elektr tarmog'idan uzib qo'ying.
- Qahva qaynatgichni elektr tarmog'idan uzish uchun oldin ishlatish tugmalarining hammasini o'chirilgan holatga o'tkazib qo'ying so'ng elektr vilkasini rozetkadan chiqarib oling.
- Elektr shnuri stol qirrasiga, issiq joylarga tegib turmasligiga qarab turing.
- Qahva qaynatgichni issiq yuzalarga qo'ymang.
- Elektr vilkasi, shnuri shikastlangan, nosoz ishlayotgan yoki biror qismi shikastlangan qahva qaynatgichni ishlatmang.
- Qahva qaynatgichni mustaqil ta'mirlash ta'qiqlanadi, ta'mirlash uchun vakolati bor ustaxonaga boring.
- Qahva qaynatgichni xonadan tashqarida ishlatmang.
- Qahva qaynatgichni hech qachon harorat 0°C dan past bo'ladigan joyda qoldirmang.
- Jihoz faqat uy sharoitida ishlatishga mo'ljallangan.
- Ushbu moslama bolalar va imkoniyati

cheklangan kishilar tomonidan foydalanish uchun mo'ljallanmagan, faqat agar ularga moslamadan xavfsiz foydalanish to'g'risida hamda undan noto'g'ri foydalanishda yuzaga kelishi mumkin bo'lgan xavflar to'g'risida ularning xavfsizligi uchun javob beradigan shaxs tomonidan ularga mos keluvchi va ularga tushunarli bo'lgan yo'riqnomalar berilmagan bo'lsa.

- Bolalarga moslamadan o'yinchoq sifatida foydalanishga ruxsat bermang.

## USHBU QO'LLANMANI SAQLAB OLIB QO'YING

### ISHLATISHGA TAYYORLASH

- Ishlatish tugmalarining (13, 14, 17) hammasi o'chirilganini tekshirib ko'ring.
- Bug' kelishi berkilganini tekshirib ko'ring, buning uchun jihoz dastagini (5) soat miliga qarab oxirigacha burang.
- Qahva qaynatgichni birinchi marta ishlatishdan oldin yechiladigan qismlarini iliq suvda yuvib quritib oling.
- Elektrga ulashdan oldin elektr tarmog'idagi kuchlanish jihoz korpusida ko'rsatilgan kuchlanishga to'g'ri kelishini tekshirib ko'ring.
- Idishini (3) yechib MAX ishorasiga yetguncha sovuq suv soling, so'ng yana joyiga mahkamlab qo'ying.
- Filtrdagi (6) chiqib turgan joyni tutgichdagi (12) yoriqqa kiritib qahva filtrini (6) tutgichga (12) mahkamlang, so'ng filtrni (6) soat miliga qarab/soat miliga teskari tomonga burang.
- Filtr tutgichini qahva qaynatgichga qo'ying. Tutgichdagi (12) chiqib turgan joylar qaynatish idishidagi yoriqqa to'g'ri kelishi kerak, shundan so'ng filtr tutgichi dastagini (8) o'ngga oxirigacha burang.
- Qahva quyiladigan finjonni patnis qopqog'iga (10) qo'ying.
- Elektr vilkasini rozetkaga ulang.
- ON/OFF (17)tugmasini bosib qahva

qaynatgichni ishlating, tugma bosilganda ishlayotganini ko'rsatish chirog'i (16) yonadi.

- Qaynatgichdagi suvni ko'paytirish uchun 15-20 sekunddan so'ng yoki finjonga suv quyilgandan so'ng jihoz tugmasini (13) bosib, tugmani (13) yana bir marta bosib suv quyilishini to'xtating.
- Ko'rsatish chirog'i (15) yongunguncha kutib turing, shundan so'ng tugmasini (13) bosib suv kelishini oching, finjon to'lgandan so'ng suv quyilishini to'xtatish uchun tugmani (13) yana bir marta bosib, finjondagi suvni to'kib tashlang. Finjon katta yoki kichik bo'lishiga qarab shu ishni yana qaytarish kerak, shunda qaynatgich yuvilgan bo'ladi.

### Quyidagi qoidalarga albatta amal qiling!

- Jihoz (13), (14) tugmalari bosilib turganda filtr tutgichini (12) yechib olish ta'qiqlanadi.
- Qahva damlab bo'linishi bilanoq filtr tutgichini (12) yechib olmag, chunki filtr ichida qaynoq suv bilan bug' qolgan bo'lishi mumkin, shuning uchun albatta qahva qaynatgich sovushini kutib turing.
- Filtr tutgichini (12) echib olish uchun dastagini chapga burib tutgichni echib oling.

## ESPRESSO QAHVASINI DAMLASH USULI

- Oldin ishlatish tugmalarining (13, 14, 17) hammasi o'chirilganini tekshirib ko'ring.
- Bug' berish yo'li albatta yopilgan bo'lishi kerak, buning uchun dastagini (5) soat mili aylanadigan tomonga oxirigacha burash kerak bo'ladi.
- Suv idishini (3) yechib olib MAX belgisiga yetguncha to'ldirib suv quyung, so'ng yana joyiga mahkamlab qo'ying.
- Filtrdagi (6) chiqib turgan joyni tutgichdagi (12) yoriqqa kiritib qahva filtrini (6) yoki (19) tutgichga (12) mahkamlang, so'ng filtrni (6) soat miliga qarab/soat miliga teskari tomonga burang.

- Filtrga (6) maydalangan qahva soling: ikki finjon qahva damlash uchun o'lchov qoshig'ini to'ldirib ikki qoshiq qahva solinadi, bir finjon qahva damlash uchun esa bir o'lchov qoshig'ida to'ldirib qahva solinadi, o'lchov qoshig'ining (18) orqasi bilan filtrga solingan qahvani sal zichlang.
- Filtr tutgichini qahva qaynatgichga mahkamlang. Tutgichdagi (12) chiqib turgan joy qaynatgichdagi yoriq joyga tushishi kerak, shundan so'ng filtr tutgichi dastagini (8) o'ngga oxirigacha aylantirasiz.
- Patnis qopqog'iga (10) bitta yoki ikkita finjon qo'ying.
- Elektr vilkasini rozetkaga ulang.
- ON/OFF tugmasini (17) bosib qahva qaynatgichni ishlatib, jihoz ishga tushganda ishlayotganini ko'rsatish chirog'i (16) yonib turadi.
- Ko'rsatish chirog'i (15) yonishini kutib turing, shunda qahva qaynatgich qahva qaynatishga tayyor bo'lgan bo'ladi.
- Tugmasini (13) bosib suvni quyib oling, finjon qahvaga to'lgandan so'ng tugmani (13) bosib suv quyilishini berkiting.
- ON/OFF tugmasini (17) bosib qahva qaynatgichni o'chiring, ishlayotganini ko'rsatish chirog'i (16) o'chadi.
- Qahva qaynatgich sovugandan keyin filtr tutgichini (12) yechib oling dastagini chappga aylantiring. Qahva qoldig'ini olib tashlab filtrni (6) yuving.

#### Eslatma:

- Qahva damlanadigan finjonni oldin isitib olish kerak. Buning uchun qaynatgich qiziyotgan vaqtda finjonni lavhaga (4) qo'ying.
- Filtr tutgichini yechib olish zarur bo'lib qolganda oldin qaynatgichdagi bosimni kamaytirib, ON/OFF tugmasini (17) bosib qahva qaynatgichni o'chiring, kapuchino naychasi ostiga birorta finjon qo'ying, so'ng dastakni (5) soat miliga teskari aylantirib bug' chiqishini ozroq oching,

qaynatgichdagi bosim tushirilgandan keyin filtr tutgichini (12) yechib oling.

#### KAPUCHINO DAMLASH USULI

**Diqqat!** Qaynoq bug' kuydirishidan ehtiyot bo'ling.

- Bug' chiqarish murvati dastagi (5) «bug' chiqishi o'chirilgan» holatiga surib qo'yilganini tekshirib ko'ring.
- **«ESPRESSO QAHVASINI DAMLASH USULI»** bo'limida aytilgan usul bilan qahva damlang, qahva damlanadigan finjon yana sut ko'pigi bilan qaymoq solish uchun ham kifoya qilishi kerak.
- Bug' chiqarish tugmasini (14) bosib, ko'rsatish chirog'i (15) yonishini kutib turing. Kapuchino naychasi (7) ostiga suv quyib olish uchun birorta idish qo'ying. Bug' chiqarish dastagini (5) sekin, to'rtidan bir qismga aylantirib bug' keladigan naychada yig'ilib qolgan tomchilarni chiqarib tashlang. Tomchilar chiqarib tashlangandan so'ng dastakni (5) soat mili tomonga oxirigacha aylantirib bug' kelishini to'xtating.

**Eslatma:** filtr tutgichi (12) yoki bug' chiqish joyidan bir oz suv yoki bug' chiqishi mumkin va bu holat tabiiy hisoblanadi.

- Kapuchino naychasini (7) sovuq sut yoki qaymoq solingan bardoqqa soling, bug' berish murvatini (5) sekin soat miliga teskari, to'rtidan bir qism yoki bir oz ko'proq aylantiring. Kapuchino naychasi bardoqning ostiga tegib turmasligi kerak, chunki bug' chiqishi qiyin bo'ladi, ko'pik quyuq bo'lishi uchun bir necha sekund kifoya qiladi.
- Dastakni (5) soat mili tomonga oxirigacha aylantirib bug'ni yoping.
- Bug' berish tugmasini (14) yana bir marta bosib bug' kelishini to'xtating.
- ON/OFF tugmasini (17) bosib qahva qaynatgichni o'chiring, ishlayotganini ko'rsatish chirog'i (16) o'chadi.

## Quyidagi qoidalarga albatta amal qiling:

- Ko'pik qilinadigan sut yangi va konservant aralashmagan, ya'ni ko'p vaqt saqlanadigan sut bo'lmasligi kerak. Yog'liligi 4 foizdan 6 foizgacha bo'lgan tabiiy sut ishlatiladi, qaymoqning yog'liligi esa 10 foizdan kam bo'lmasligi kerak.
- Sut yoki qaymoq ko'pirtirilganidan keyin kapuchino naychasini (7) darhol yuvish kerak. Buning uchun kapuchino naychasini (7) suv solingan bardoqqa solasiz, tugmani (14) bosib bug' chiqishini ishlatib va bug' chiqarish dastagini (5) bir oz burib bug' chiqarib, shundan so'ng bug' chiqishini to'xtatib qahva qaynatgichni o'chiring.
- Qahva qaynatgich sovgandan keyin kapuchino naychasi (7) uchidagi o'rnatmani yechib oling, kapuchino naychasi sirtini nam mato bilan artib oling, o'rnatmasi esa oqib turgan suvda yuvib olinadi.
- Kapuchino naychasi (7) to'lib qolganda naycha qalpog'ini yechib oling, o'lchov qoshig'ini (18) oling (qoshiqda kapuchino naychasi uchini yechib oladigan olti burchakli ochiq joy bor), naycha uchini soat mili tomonga burib chiqarib oling, naycha uchini yuvib yana joyiga qotirib qo'ying, buning uchun o'lchov qoshig'i (18) bilan yengilroq burab qotirish kerak.

## Eslatma:

- Keyingi qahvani damlashdan oldin kamida 5 daqiqa vaqt o'tishi kerak.

## ICHIMLIKLARNI ISITISH

Plastik uchi olingan kapuchino naychasini (7) finjonga solib ichimliklarni isitishingiz mumkin. Buning uchun quyidagi tartibga amal qilinadi:

- Bug' berish tugmasini (14) bosib, shundan so'ng ko'rsatish chirog'i (15) yonishini kutib turing.
- Plastik uchi olingan kapuchino naychasini (7) isitiladigan ichimlik solingan finjonga tushiring, bug' chiqarish murvatini (5) sekin soat miliga teskari aylantiring.

- Dastakni (5) soat mili tomonga oxirigacha aylantirib bug' kelishini to'xtating.
- Bug' berish tugmasini (14) yana bir marta bosib bug' kelishini o'chiring.
- ON/OFF tugmasini (17) bosib qahva qaynatgichni o'chiring, ishlayotganini ko'rsatish chirog'i (16) o'chadi.

***Eslatma:** filtr tutgichi (12) yoki bug' chiqish joyidan bir oz suv yoki bug' chiqishi mumkin va bu holat tabiiy hisoblanadi.*

## YAXSHI ESPRESSO OLISH USULI

- Buning uchun avvalo «espresso» qahva qaynatgichlarida ishlatish uchun mo'ljallangan yangi maydalangan qahva ishlatish kerak.
- O'lchov qoshig'ining (18) orqasi bilan sal urib filtrga (6) solingan qahvani sal zichlang.
- Damlangan qahvaning achchiqligi qahva donining maydaligi bilan sifatiga bog'liq bo'ladi. Agar qahva sekin quyilayotgan bo'lsa qahva doni juda mayda maydalangan bo'ladi yoki qahva qattiq zichlangan bo'lishi ham mumkin.

## QUYQANI TOZALASH

Qahva qaynatgich yaxshi ishlashi uchun har 2-3 oyda quyqasini tozalab turish kerak bo'ladi. «Qattiq» suv ishlatilganda esa quyqa tezroq tozalab turilishi kerak.

1. Oldin jihozni ishlatish tugmalari (13, 14, 17) o'chirilganini tekshirib ko'ring.
2. Bug' berish yopilganini tekshiring, buning uchun dastakni (5) soat miliga qarab oxirigacha aylantirasiz.
3. Limon kislotasi eritmasini tayyorlab qo'ying: 1 litr suvga 2 choy qoshiq limon kislotasi solinadi, shundan so'ng tayyorlangan eritmani suv idishiga (3) solasiz. Suv idishini (3) yana joyiga mahkamlab qo'ying.
4. Filtrdagi (6) chiqib turgan joyni tutgichdagi (12) yoriqqa kiritib qahva filtrini (6) tutgichga (12) mahkamlang, so'ng filtrni



- (6) soat miliga qarab/soat miliga teskari tomonga burang.
5. Filtr tutgichini qahva qaynatgichga qo'ying. Tutgichdagi (12) chiqib turgan joylar qaynatish idishidagi yoriqqa to'g'ri kelishi kerak, shundan so'ng filtr tutgichi dastagini (8) o'ngga oxirigacha burang.
  6. Qahva quyiladigan finjonni patnis qopqog'iga (10) qo'ying.
  7. Elektr vilkasini rozetkaga ulang.
  8. ON/OFF (17) tugmasini bosib qahva qaynatgichni ishlating, tugma bosilganda ishlayotganini ko'rsatish chirog'i (16) yonadi.
  9. Tugmani (13) bosib sig'imi taxminan 100 ml bo'lgan finjonga suv quyib oling (qaynatgichdagi suvni quyib olish va unga limon kislotasi eritmasini quyish uchun shunday qilish kerak bo'ladi), tugmani (13) yana bir marta bosib quyilayotgan suvni berkiting.
  10. Ko'rsatish chirog'i (15) yonishini kutib turing, shundan so'ng tugmani (13) bosib suvni sig'imi taxminan 100 ml bo'lgan finjonga quyib oling, tugmani (13) yana bir marta bosib quyilayotgan suvni to'xtating, finjonga quyib olingan suvni to'kib tashlang.
  11. Bir oz vaqt o'tkazib 10-bandda aytilgan ishni yana qaytaring va sig'imi taxminan 100 ml bo'lgan finjonga suv quyib oling.
  12. Bug' chiqarish tugmasini (14) bosib, ko'rsatish chirog'i (15) yonishini kutib turing. Kapuchino naychasi (7) ostiga birorta idish qo'ying, so'ng dastakni (5) soat miliga teskari aylantirib bug' kelishini oching.  
Ehtiyot bo'lib, bug' chiqarish dastagini (5) bug' eng ko'p chiqadigan tomonga o'tkazib, taxminan 1 daqiqa bug' chiqarib turing, bug' chiqarish dastagini (5) soat mili tomonga oxirigacha aylantirib bug' kelishini to'xtating, tugmani (14) bosib bug' kelishini o'chiring.
  13. Tugmasini (17) bosib qahva qaynatgichni o'chiring. 10-15 daqiqa kutib turing.
  14. 10- va 11-bandlarda aytilgan ishni kamida 3 marta qaytaring.
  15. 12-bandda aytilgan ishni qaytarib bug' chiqish yo'lini qayta tozalang.
  16. Bir oz vaqt o'tkazib idishdagi limon eritmasi tugamaguncha qaynatgichni tozalash ishini qaytaring (10-band).
  17. ON/OFF tugmasini (17) bosib qahva qaynatgichni ishlating.
  18. Idishiga (3) to'ldirib toza suv soling, shundan so'ng 10- va 12-bandlarda aytilgan ishni kamida 3 marta qaytaring, bu safar 10-15 daqiqa tanaffus qilinmaydi.
  19. ON/OFF tugmasini (17) bosib qahva qaynatgichni ishlating.
- Eslatma:**
- Quyqani tozalash uchun, qo'llanmasiga qat'iy amal qilib, quyqan tozalaydigan maxsus vositalarni ishlatish mumkin.
- TOZALASH**
- Filtrni (6) tozalash: filtrni idish yuvish mashinasida yuvish mumkin. Agar teshigiga qahva to'lib qolgan bo'lsa kichik cho'tka bilan tozalab olishingiz mumkin.
  - Qahva qaynatgich sirtini yumshoq nam mato bilan artish mumkin. Tozalaganda metall cho'tka yoki qirib tozalaydigan vositalarni ishlatmang.
  - Qahva qaynatgich korpusini suvga yoki boshqa bir suyuqlikka solish ta'qiqlanadi.
  - Qahva qaynatgichning yechiladigan qismlarini iliq suvda, yumshoq yuvish vositalari bilan yuvish mumkin. Yuvilgandan so'ng ularni chayib, quritib olish kerak.
- Tomchi yig'iladigan patnis (9)**
- Patnis panjarasini (10) yechib oling, patnisni (9) chiqaring, unga yig'ilgan suvni to'kib tashlang, patnisni yana joyiga qo'ying, panjarani patnis ustiga qo'ying. Agar zarur bo'lsa patnis (9) bilan panjarani (10) yumshoq yuvuvchi vosita bilan suvda yuvib olish mumkin. Shundan so'ng ularni chayib, quritib olish kerak bo'ladi.

## Bo'lishi mumkin bo'lgan nosozliklar va ularni tuzatish usuli

Nosozlik	Sababi	Tuzatish usuli
Qahva qaynatgich ishlamayapti	Rozetkada tok yo'q. Elektr vilkasi rozetkaga yaxshi ulanmagan	Rozetka ishlayotganini tekshirib ko'ring. Vilka rozetkaga yaxshi ulanganini tekshirib ko'ring
Qahva qaynatgich ostidan suv oqayapti	Suv yig'iladigan patnisga suv to'lib qolgan	Patnisdagi suvni to'kib tashlang
Filtr tutgichidan qahva oqib ketayapti	Filtr qaynatgichdagi zichlagich bilan yaxshi birikmagan, filtr chetida maydalangan qahva yig'ilib qolgan	Filtr chetini tozalab oling
Damlangan qahvadan boshqa xid kelayapti	Qahva qaynatgich qaynatgichidagi quyqa noto'g'ri tozalangan. Qahva noto'g'ri saqlangan.	«Ishlashga tayyorlash» va «Quyqani tozalash» bo'limlarida aytilgan qoidalarni yaxshilab o'qib ko'ring va ularda aytilgan ishni bir necha marta bajarang.
Bug' sutni ko'pirtirmayapti	CHiqayotgan bug'ning harorati past Idish juda katta yoki o'lchami to'g'ri kelmaydi YOg'sizlantirilgan sut ishlatilgan	Sutni ko'rsatish chirog'i (15) yongandan keyingina ko'pirtiring. Sutni ko'pirtirish uchun ingichka, baland idish ishlatilg. Yog'liligi 4-6 % bo'lgan tabiiy sut ishlatilg.

## JIHOZ FAQAT UY SHAROITIDA ISHLATISHGA MO'LJALLANGAN

Almashtiriladigan qismlari yo'q.

### Texnik xususiyatlari

Elektr kuchlanishi: 230 V ~ 50 Hz

Ishlatadigan quvvati: 1050 W

*Ишлаб чиқарувчи жиҳоз хусусиятларини олдиндан маълум қилмасдан ўзгартириш ҳуқуқини сақлаб қолади.*

### Buyumning xizmat qilishining muddati - 5 yil

### Кафолат шартлари

Ушбу жиҳозга кафолат бериш масаласида худудий дилер ёки ушбу жиҳоз харид қилинган компанияга мурожаат қилинг. Касса чеки ёки харидни тасдиқловчи бошқа бир молиявий ҳужжат кафолат хизматини бериш шarti ҳисобланади.



*Ушбу жиҳоз 89/336/ЯЕС Кўрсатмаси асосида белгиланган ва Қувват кучини белгилаш Қонунисида (73/23 ЕЭС) айtilган ЯХС талабларига мувофиқ келади.*

## **GB**

A production date of the item is indicated in the serial number on the technical data plate. A serial number is an eleven-unit number, with the first four figures indicating the production date. For example, serial number 0606xxxxxxx means that the item was manufactured in June (the sixth month) 2006.

## **DE**

Das Produktionsdatum ist in der Seriennummer auf dem Schild mit technischen Eigenschaften dargestellt. Die Seriennummer stellt eine elfstellige Zahl dar, die ersten vier Zahlen bedeuten dabei das Produktionsdatum. Zum Beispiel bedeutet die Seriennummer 0606xxxxxxx, dass die Ware im Juni (der sechste Monat) 2006 hergestellt wurde.

## **RUS**

Дата производства изделия указана в серийном номере на табличке с техническими данными. Серийный номер представляет собой одиннадцатизначное число, первые четыре цифры которого обозначают дату производства. Например, серийный номер 0606xxxxxxx означает, что изделие было произведено в июне (шестой месяц) 2006 года.

## **KZ**

Бұйымның шығарылған мерзімі техникалық деректері бар кестедегі сериялық нөмірде көрсетілген. Сериялық нөмір он бір саннан тұрады, оның бірінші төрт саны шығару мерзімін білдіреді. Мысалы, сериялық нөмір 0606xxxxxxx болса, бұл бұйым 2006 жылдың маусым айында (алтыншы ай) жасалғанын білдіреді.

## **RO**

Data fabricării este indicată în numărul de serie pe tabelul cu datele tehnice. Numărul de serie reprezintă un număr din unsprezece cifre, primele patru cifre indicând data fabricării. De exemplu, dacă numărul de serie este 0606xxxxxxx, înseamnă că produsul dat a fost fabricat în iunie (luna a asea) 2006.

## **CZ**

Datum výroby spotřebiče je uveden v sériovém čísle na výrobním štítku s technickými údaji. Sériové číslo je jedenáctimístní číslo, z nichž první čtyři číslice znamenají datum výroby. Například sériové číslo 0606xxxxxxx znamená, že spotřebič byl vyroben v červnu (šestý měsíc) roku 2006.

## **UA**

Дата виробництва виробу вказана в серійному номері на табличці з технічними даними. Серійний номер представляє собою одинадцятизначне число, перші чотири цифри якого означають дату виробництва. Наприклад, серійний номер 0606xxxxxxx означає, що виріб був виготовлений в червні (шостий місяць) 2006 року.

## **BEL**

Data vytvorčasčí vyřabu pokazana ůserýjnym nুমারы na tablićke z tэхнiчнымі дадзенымі. Серыйны нумар прадстаўляе сабою адзінаццаатае чысло, першыя чатыры лічбы якога абазначаюць дату вытворчасці. Напрыклад, серыйны нумар 0606xxxxxxx азначае, што выřаб быў зроблен ůчэрвені (шосты месяц) 2006 года.

## **UZ**

Жиҳоз ишлаб чиқарилган муддат техник хусусиятлар кўрсатилган лавҳадаги серия рақамида кўрсатилган. Серия рақами ўн битта сондан иборат бўлиб уларнинг биринчи тўрттаси ишлаб чиқарилган вақтни ифода этади. Мисол учун 0606xxxxxxx серия рақами жиҳоз 2006 йилнинг июн ойида (олтинчи ойда) ишлаб чиқарилганлигини билдиради.

