

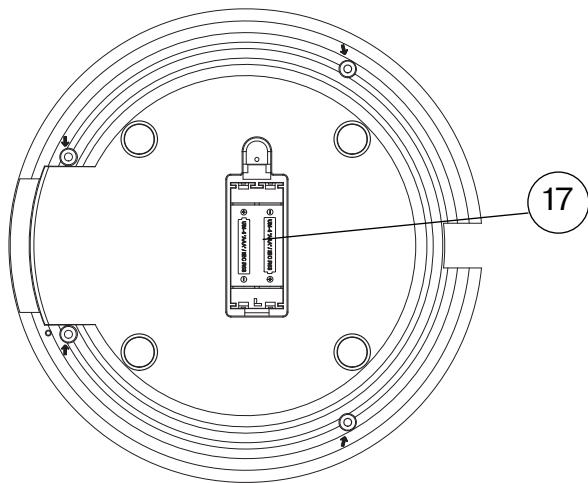
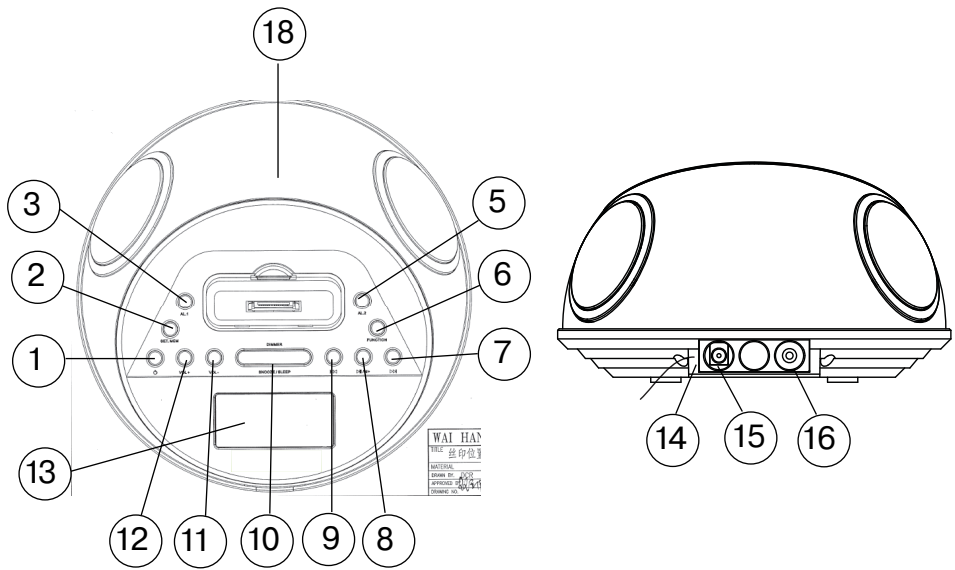
VT-3520

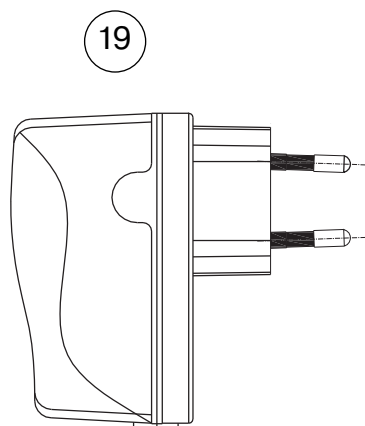
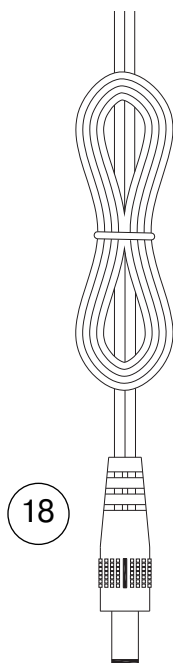
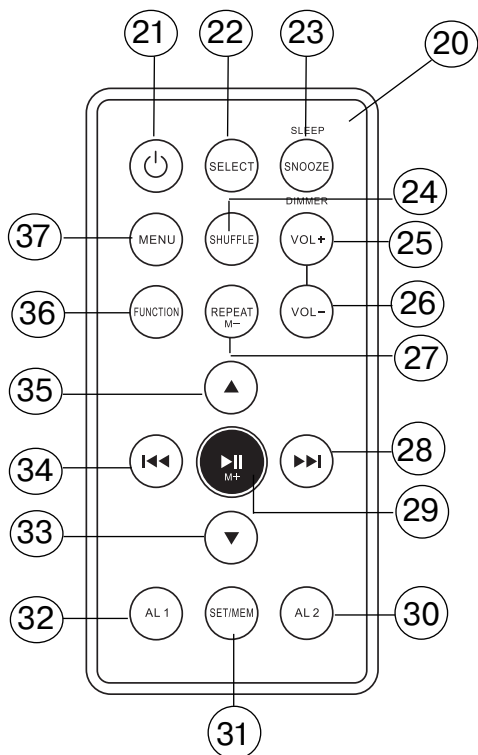
Clock radio

Радиочасы

Инструкция по эксплуатации

GB Manual instruction	4
RUS Инструкция по эксплуатации	10
UA Інструкція з експлуатації	17
KZ Пайдалану нұсқасы	24
UZ Фойдаланиш қоидалари	31





ENGLISH

Clock radio (with dock for iPod/iPhone) VT-3520

Description

1. On/off button
2. Time setting/programming radio stations button "SET.MEM"
3. First alarm on/off/setting button "AL.1"
4. iPod/iPhone jack
5. Second alarm on/off/setting button "AL.2"
6. Operating modes switch button "FUNCTION"
7. Frequency increase/shifting to the next track on iPod/iPhone button
8. Playback/Stop/ shifting to the programmed station button "▶ || /M+"
9. Frequency decrease/shifting to the previous track on iPod/iPhone button
10. Repeat of alarm/timer/display brightness control button "SNOOZE/SLEEP/DIMMER"
11. "VOL+" button
12. "VOL-" button
13. Display
14. FM-antenna cord
15. "DC" jack
16. Jack for connecting of external devices "AUX IN"»
17. Battery compartment lid
18. Power adapter plug
19. Power adapter
20. Remote control panel (RCP)

Remote control panel:

21. On/off button
22. Folder/track on iPod/iPhone selection button
23. Repeat of alarm/timer/display brightness control button "SNOOZE/SLEEP/DIMMER"
24. Random playback on/off button "SHUFFLE"
25. "VOL+" button
26. "VOL-" button
27. Repeated playback/programmed radio station selection button "REPEAT M-"
28. Frequency increase/shifting to the next track on iPod/iPhone button
29. Playback/Stop/ shifting to the programmed station button "▶ || /M+"
30. Second alarm on/off /setting button "AL.2"
31. Time setting/programming radio station button "SET.MEM"
32. First alarm on/off /setting button "AL.1"
33. Shifting along the menu iPod/iPhone (down)
34. Frequency decrease/shifting to the previous track on iPod/iPhone button
35. Shifting along the menu iPod/iPhone (up)
36. Operating modes switch button "FUNCTION"
37. Shifting to the menu iPod/iPhone/one level up

SAFETY MEASURES

Read all the instructions carefully before connection, usage and adjustment of the unit. Follow all the warnings and operating recommendations for operation of the unit listed in this manual.

Keep this manual for future reference.

- Check whether the operating voltage of the unit corresponds to the voltage of the electric network.
- In order to avoid risk of a fire or getting of electric shock, do not subject the unit to rain or moisture.

- Do not immerse the unit, the power adapter and the plug into water or other liquids.
- To prevent fire or shock hazard do not use this unit in places with high humidity (near a bath tub, wash bowl, kitchen sink, washing machine, in a wet basement, or near a swimming pool etc). Prevent the unit from dripping and splashing.
- Do not overload wall outlets or extension cords as this can result in a risk of fire or electric shock.
- Place the unit in a way that you could easily pull out the plug from the socket if there are some damages.
- For additional protection during lighting and in cases when you are not going to use the unit for a long time, unplug the unit. It will prevent the unit from failure during lighting and power surges.
- To unplug the unit, take its plug. Do not pull the cord.
- To avoid risk of electric shock do not open the body of the unit yourself. Do not repair and do not modify the unit. If you find any damages, unplug the unit and apply to the authorized service center.
- Install the unit in places with proper ventilation. Do not block the ventilation openings of the unit
- The unit should be situated on the flat stable surface, away from the equipment with strong magnetic fields for instance from video-, audio tape recorder or large columns, as magnetic field lines from these devices can cause interferences in sound.
- Do not connect the FM-antenna with the outdoor antenna.
- The unit should be away from heat sources such as radiators, electric heaters, stoves. Do not place the unit in places, which are exposed to direct sunlight, excessive dust, vibration or mechanical shocks. Do not place sources of open flame on the unit – for instance, candles.
- Make sure that foreign objects do not get into the openings of the unit.
- This unit is not intended for usage by children or disabled persons unless they are given all the necessary instructions on safety measures and information about danger, which can be caused by improper usage of the unit.
- Keep the unit out of reach of children.
- Do not allow children to use the unit as a toy.
- The unit is intended for household usage only.

Connecting to power supply

- To connect the unit to the electric network, insert the plug of the power adapter (18) to the “DC” (15) jack. Connect the power adapter (19) to a socket of alternating current mains.
- The unit is equipped with a build-in battery of reserve power, which allows in case of power off in the alternating current mains to store the settings of the current time, timer, alarm and settings for the programmed stations. When power appears in the mains, the unit will switch to the power adapter supply mode.
- Open the battery compartment lid (17) and insert two batteries of “AAA” type, following the polarity (batteries are not supplied).

Attention!

Batteries leakage can lead to injuries or damages of the unit. In order to avoid batteries leakage, follow the following instructions:

- insert the batteries, following the polarity;
- remove the batteries if you are not planning to use the unit for a long time;
- do not recharge, do not dismantle, and do not subject the batteries to high temperatures;
- replace the batteries in time.

Setting time

Manual setting of time

1. Plug in the unit.
2. Press and hold the “SET.MEM” (2) button, symbols of time format: 12 hours (12Hr) or 24 hours (24Hr) will start flashing on the display.

ENGLISH

3. Use the (7) and the (9) buttons to select a time format.
4. Press the "SET.MEM" (2) button. Digits (hours) will start flashing on the display.
5. Use the (7) and the (9) buttons to select the required hour.
6. Press the "SET.MEM" (2) button. Digits (minutes) will start flashing on the display.
7. Use the (7) and the (9) buttons to select the required minutes value.

Note: If during setting, the (7) or (9) buttons are not pressed during 10 seconds, the unit will switch to the current time mode.

Setting the alarms (AL.1 and AL.2) activation (actuation) time

1. Plug in the unit.
2. To view the current settings of the first alarm press the "AL.1" (3) button.
3. In the alarm current settings display mode, to change the settings press and hold the "AL.1" (3) again. Hour digits will start flashing on the display.
4. Use the (7) and the (9) buttons to select the required hour.
5. Press the "AL.1" (3) button. Minutes digits will start flashing on the display.
6. Use the (7) and the (9) buttons to select the required minutes.
7. Press the "AL.1" (3) button. Symbols of alarm signal types will be flashing on the display. Use the (7) and the (9) buttons to select the required signal type: radio (RADIO), iPod/iPhone (the corresponding symbol) or a sound signal (BEEP).
8. Repeat actions 2-8 for the second alarm "AL.2" (5).

Note:

- **If during setting, the (7) or (9) buttons are not pressed during 10 seconds, the unit will switch to the current time mode.**
- **The alarm is actuated only when the unit is connected to the mains.**
- **If you select iPod/iPhone as an alarm signal, make sure that the unit is properly inserted in the jack (4); otherwise the alarm will not be actuated.**

Switching on/off of the alarms

1. To switch on the alarm (s) press and hold the "AL.1" (3) / "AL.2" (5) button until the alarm (s) switching on symbol (13) appears on the display.
2. To switch off the alarm press and hold the corresponding button once again.

Repeat the alarm signal

1. You can delay the alarm signal for 9 minutes by pressing the (10) "SNOOZE/SLEEP" button. In 9 minutes the alarm signal will be repeated.
2. To switch off the sound signal of the alarm-clock press the button of the corresponding alarm (3) "AL.1"/(5) "AL.2". If radio is selected as the source of sound signal it will switch off automatically after 1 hour.

Note: The alarm signal will be ringing for an hour, if you do not press any buttons.

Setting the display brightness (13)

1. Plug in the unit.
2. Repeatedly pressing the "DIMMER" (10) button, set the required brightness of the display.

Timer

You can set time after which the clock radio will switch off automatically.

1. Connect the unit to the mains and press the on/off button (1).

2. Press the "SNOOZE/SLEEP" (10) button. The "90SLP" symbols will start flashing on the display that means that the clock radio will automatically switch off in 90 minutes.
3. Set the required time of automatic switching off (with step in 10 minutes) by pressing the (10) "SNOOZE/SLEEP" button again. After the unit returns to the current operation mode, the "SLP" symbols will appear on the display.
4. To switch off the timer, press the "SNOOZE/SLEEP" (10) button again until "OFF" appears on the display (13) or switch off the unit pressing the on/off button (1).

Volume control

Use the "VOL+" (11) and "VOL" (12) buttons to set the desired volume level.

"AUX IN" jack (16)

You can listen to sound from an external device via the speakers of the clock radio.

To connect an external device use the "AUX IN" jack (16).

1. Connect the external device to the jack using a special audio cable 3,5 Jack-Jack (not supplied).
2. Connect the unit to the mains and press the on/off button (1).
3. Consequently pressing the (6) "FUNCTION" button select the operating mode "AUX", the corresponding symbol will appear on the display of the unit.

Radio stations receipt

1. Connect the unit to the mains and press the on/off button (1).
2. Consequently pressing the (6) "FUNCTION" button select the "RADIO" mode.
3. Use the (7) and the (9) buttons to tune to the desired radio station.

Manual setting: consequently press the (7) and (9) buttons to select the desired radio station with step 0,05 MHz in FM mode.

Automatic search: hold the (7) and (9) buttons pressed for more than 1 second. The tuner will start scanning and will automatically stop scanning when the nearest strong signal from the radio station is found.

1. To cancel the radio mode press the (6) "FUNCTION" button, by selecting another operation mode, or switch off the unit pressing the on/off button. (1).

Antenna (14)

Select the position of the antenna (14), which suits for qualitative receipt.

Programming of radio stations

You can tune and store settings for 20 radio stations in the FM band.

1. Tune to the radio station which you want to program.
2. Press and hold the (2) "SET.MEM" button until the flashing symbol of the radio station appears.
3. Consequently pressing the (7) and (9) buttons to select the radio station number, under which you want to store the radio station.
4. Press the (2) "SET.MEM" button once again to store the settings, which you have made.
5. Repeat points 1–4 for all radio stations, which frequencies you want to store in memory.
6. To select the preliminary programmed radio stations in the radio mode consequently press the "▶ || /M+" (8) button on the body of the unit or the "▶ || /M+" (29) and "REPEAT M-" (27) on the remote control panel (20).

Operating with iPod/iPhone Holder selection

To ensure proper installation of your iPod or iPhone in the jack (4), use one of the four holders according to the table:

ENGLISH

Holder	iPhone	Thin iPod	Thick iPod
Model iPod/ iPhone	iPhone 3 iPhone 3 GS iPhone 4	iPod Touch of the second, third or fourth generation	iPod Video of the fifth generation

Synchronization of the time indications of the clock radio and iPod/iPhone/ iPod/iPhone charging

1. Connect the unit to the mains.
2. Select a holder for your iPod/iPhone model.
3. Insert the iPod/iPhone into the jack (4).
4. Charging of the iPod/iPhone battery will start automatically, and the radio clock time settings will be automatically synchronized with the settings of the iPod/iPhone.

Note:

- **The unit does not support charging of iPod Shuffle.**
- **Time synchronization function is supported with all iPhone models and media player iPod Touch, iPod Nano, iPod Classic. Earlier iPod models do not support time synchronization function.**

Playback of files from iPod/iPhone

1. Connect the unit to the mains and press the on/off button (1).
2. Consequently pressing the (6) "FUNCTION" button select the iPod/iPhone mode, the corresponding symbol will appear on the display.
3. If there are files of the necessary format on your iPod/iPhone, they will start playing back from the moment, when their playback was stopped or paused.
4. Press the "▶ || /M+" button (8) to playback.
5. To pause the playback press the "▶ || /M+" (8) button in the playback mode.

Shifting to the beginning of the track, to the previous and the next track.

1. To move to the previous or to the next track, if the playback is stopped, press the (7) or (9) button correspondingly.
2. To move to the beginning of the played back track press the (9) button once in the playback mode.
3. To move to the next track press the (7) button once in the playback mode.
4. To move to the previous track press the (9) button twice in the playback mode if the playback is stopped, press the (9) button once.
5. For quick rewind, and to move to the next or previous tracks press and hold the (7) or (9) button correspondingly, sound will be produced interruptedly.

Remote control panel (20)

Buttons on the remote control panel(20) correspond to the buttons on the body of the unit:

20. The on/off button corresponds to the (1) button.
23. The "SNOOZE/SLEEP/DIMMER" button corresponds to the (10) button.
25. The "VOL+" button corresponds to the (11) button.
26. The "VOL-" button corresponds to the (12) button.
28. Frequency increase/ shifting to the next track on iPod/iPhone button corresponds to the (7) button.

29. Playback/Stop/ shifting to the programmed station button “▶ || /M+” corresponds to the (8) button.
30. Second alarm on/off /setting button “AL.2” corresponds to the (5) button.
31. Time setting/programming radio station button “SET.MEM” corresponds to the (2) button.
32. First alarm on/off /setting button “AL.1” corresponds to the (3) button.
34. Frequency decrease/shifting to the previous track on iPod/iPhone button corresponds to the (9) button.
36. Operating modes switch button “FUNCTION” corresponds to the (6) button.

Navigation in the iPod/iPhone menu

1. To view the menu in the iPod/iPhone mode press the “MENU” (37) button on the remote control panel(20).
2. To move one level of the menu up press the “MENU” (37) button once again.
3. To move down/up along the menu items use the (33) and (35) buttons.
4. To open the selected folder/playback of the selected track press the “SELECT” button (22).

Note:

- **When operating with the menu items, playback of the previously selected track is in the background mode.**
- **You can control background playback of the track by pressing the (7), (8), (9) buttons on the body of the unit or the (28), (29), (34) buttons on the remote control panel (20).**

Repeat playback

1. To repeat one track press the “REPEAT M-“(27) button once.
2. To repeat all tracks press the “REPEAT M-“(27) button twice.
3. To cancel repeated playback press the “REPEAT M-“(27) button once again.

Random playback of tracks

1. To random playback tracks press the “SHUFFLE” (24) button on the remote control panel(20).
2. To cancel the random playback of tracks press the “SHUFFLE” (24) again.

Volume control

The (33) and (35) buttons on the remote control panel also control volume level on iPod/iPhone, which correspond to volume of the playback via the earphones. To increase volume level on the radio clock speakers use the “VOL+” (11) and “VOL-“ (12) buttons on the body of the unit or the “VOL+” (25) and “VOL-“ (26) buttons on the remote control panel(20).

CLEANING AND CARE

- Unplug the unit before cleaning.
- Use a soft cloth to clean the unit.
- Do not use liquid or aerosol substances for cleaning.

STORAGE

- Clean the unit before taking it away for storage.
- Keep the unit in a dry cool place out of reach of children.

Specifications

Power supply: 220–240 V ~ 50 Hz

Power adapter output: 5 V, 2000 mA

ENGLISH

Reserve power supply: two batteries 1,5 V of "AAA" type
Frequency range FM: 87,5-108 MHz

The manufacture preserves the right to amend the specifications of the unit without preliminary notification.

Service life of the unit is 3 years

Guarantee

Details regarding guarantee conditions can be obtained from the dealer from whom the appliance was purchased. The bill of sale or receipt must be produced when making any claim under the terms of this guarantee.



This product conforms to the EMC-Requirements as laid down by the Council Directive 89/336/EEC and to the Low Voltage Regulation (23/73 EEC)

Радиочасы (с доком для iPod/iPhone) VT-3520

Описание

1. Кнопка вкл./выкл. устройства
2. Кнопка установки времени/программирования радиостанций «SET.MEM»
3. Кнопка вкл./выкл./настройки первого будильника «AL.1»
4. Разъем для iPod/iPhone
5. Кнопка вкл./выкл./настройки второго будильника «AL.2»
6. Кнопка переключения режимов работы «FUNCTION»
7. Кнопка увеличения частоты настройки/перехода к следующему треку на iPod/iPhone
8. Кнопка воспроизведения/остановки воспроизведения/перехода к запрограммированной радиостанции " ▶ || /M+".
9. Кнопка уменьшения частоты настройки/перехода к предыдущему треку на iPod/iPhone
10. Кнопка повтора сигнала будильника/таймера/регулировки яркости дисплея «SNOOZE/SLEEP/DIMMER»
11. Кнопка увеличения громкости звука «VOL+»
12. Кнопка уменьшения громкости звука «VOL-»
13. Дисплей
14. Провод FM-антенны
15. Гнездо питания «DC»
16. Гнездо для подключения внешних устройств «AUX IN»
17. Крышка батарейного отсека
18. Штекер провода сетевого адаптера
19. Сетевой адаптер
20. Пульт дистанционного управления (ПДУ)

Пульт дистанционного управления:

21. Кнопка вкл./выкл.
22. Кнопка выбора папки/трека в меню iPod/iPhone
23. Кнопка повтора сигнала будильника/таймера/регулировки яркости дисплея «SNOOZE/SLEEP/DIMMER»
24. Кнопка вкл./выкл. воспроизведения в произвольном порядке «SHUFFLE»
25. Кнопка увеличения громкости звука «VOL+»
26. Кнопка уменьшения громкости звука «VOL-»
27. Кнопка повторного воспроизведения/выбора запрограммированной радиостанции «REPEAT M-»
28. Кнопка увеличения частоты настройки/перехода к следующему треку на iPod/iPhone
29. Кнопка воспроизведения/остановки воспроизведения/перехода к запрограммированной радиостанции " ▶ || /M+".
30. Кнопка вкл./выкл./настройки второго будильника «AL.2»
31. Кнопка установки времени/программирования радиостанций «SET.MEM»
32. Кнопка вкл./выкл./настройки первого будильника «AL.1»
33. Кнопка перемещения по пунктам меню iPod/iPhone (вниз)
34. Кнопка уменьшения частоты настройки/перехода к предыдущему треку на iPod/iPhone
35. Кнопка перемещения по пунктам меню iPod/iPhone (вверх)
36. Кнопка переключения режимов работы «FUNCTION»
37. Кнопка перехода к меню iPod/iPhone/на один уровень меню вверх

МЕРЫ БЕЗОПАСНОСТИ

Перед подключением, использованием и настройкой устройства внимательно ознакомьтесь с инструкцией. Необходимо соблюдать все предупреждения и рекомендации по эксплуатации устройства, приведенные в данной инструкции.

Сохраните инструкцию, используйте ее в дальнейшем в качестве справочного материала.

- Проверьте, соответствует ли напряжение в электрической сети напряжению, указанному на сетевом адаптере устройства.
- Во избежание возникновения пожара или поражения электрическим током не подвергайте устройство воздействию дождя или влаги.
- Запрещается погружать прибор, сетевой адаптер и шнур сетевого адаптера в воду или любые другие жидкости.
- Во избежание возникновения пожара или поражения электрическим током не размещайте это устройство в условиях повышенной влажности (около ванн, емкостей с водой, кухонных раковин, стиральных машин, рядом с плавательным бассейном, в сырых подвалах и т.п.). Не допускайте попадания на устройство капель или брызг.
- Не допускайте перегрузки розеток или удлинителей, так как это может привести к пожару или поражению электрическим током.
- Установите устройство таким образом, чтобы в случае неисправности сетевого адаптера можно было немедленно вынуть из розетки.
- Для дополнительной защиты устройства во время грозы, а также в тех случаях, когда вы не собираетесь использовать его в течение длительного времени, отключите устройство от розетки электросети. Это исключит выход устройства из строя из-за ударов молнии или скачков напряжения в электросети.
- При отключении устройства беритесь непосредственно за сетевой адаптер, ни в коем случае не тяните за шнур.
- Во избежание удара электрическим током не открывайте корпус устройства самостоятельно. Не ремонтируйте прибор и не вносите в него изменения. При обнаружении неисправностей отключите прибор от сети и обратитесь в авторизованный (уполномоченный) сервисный центр.
- Размещать устройство следует в местах с достаточной вентиляцией. Не закрывайте вентиляционные отверстия прибора.
- Устройство следует размещать на ровной, устойчивой поверхности, вдали от оборудования с сильными магнитными полями, например от видео-, аудиоманитофонов или больших колонок, т.к. силовые линии магнитного поля от этих устройств могут вызвать помехи в звуке.
- Не соединяйте FM-антенну с наружной антенной.
- Не размещайте устройство вблизи источников тепла, например, радиаторов, электрообогревателей, духовок, а также в местах, подверженных воздействию прямых солнечных лучей, чрезмерному запылению, вибрации или механическим ударам. Не ставьте на устройство источники открытого пламени - например, свечи.
- Не допускайте попадание посторонних предметов в отверстия устройства.
- Данное устройство не предназначено для использования детьми и людьми с ограниченными возможностями. В исключительных случаях лицо, отвечающее за их безопасность, должно дать соответствующие и понятные инструкции о безопасном использовании устройства и тех опасностях, которые могут возникать при его неправильном использовании.
- Храните прибор в местах, недоступных для детей.
- Не разрешайте детям использовать прибор в качестве игрушки.
- Устройство предназначено только для домашнего использования.

Подключение питания

- Для подключения устройства к электросети вставьте штекер провода сетевого адаптера (18) в разъем «DC» (15). Сетевой адаптер (19) подключите к розетке сети переменного тока.
- Прибор оборудован встроенной батарейной системой резервного питания, которая позволяет в случае пропадания напряжения в сети переменного тока сохранить настройки текущего времени, таймера, будильника и настройки на запрограммированные радиостанции. Как только напряжение в сети восстанавливается, устройство переключается на питание от сетевого адаптера.
- Откройте крышку батарейного отсека (17) и, соблюдая полярность, установите два элемента питания «AAA» (элементы питания не входят в комплект поставки).

Внимание!

Протечка батареек может быть опасной, т.к. может стать причиной повреждения устройства и даже привести к травмам. Чтобы избежать протечки батареек, следуйте приведенным ниже рекомендациям:

- устанавливайте элементы питания, соблюдая полярность;
- вынимайте батарейки, если устройство не будет использоваться в течение длительного времени;
- не перезаряжайте батарейки, не разбирайте их, не подвергайте воздействию высокой температуры;
- своевременно меняйте батарейки.

Настройка времени

Ручная настройка времени

1. Подключите устройство к сети.
2. Нажмите и удерживайте кнопку «SET.MEM» (2), на дисплее начнут мигать символы, обозначающие формат отображения времени: 12 часов (12Hr) или 24 часа (24Hr).
3. Используя кнопки (7) и (9), выберите формат отображения времени.
4. Нажмите кнопку «SET.MEM» (2). На дисплее начнут мигать цифры (часы).
5. Используя кнопки (7) и (9), выберите нужный час.
6. Нажмите кнопку «SET.MEM» (2). На дисплее начнут мигать цифры (минуты).
7. Используя кнопки (7) и (9), выберите нужное значение минут.

Примечание: Если во время установки в течение 10 секунд кнопки (7) или (9) не будут нажаты, произойдет возврат в режим отображения текущего времени.

Установка времени включения (срабатывания) будильников (AL.1 и AL.2)

1. Подключите устройство к сети.
2. Для просмотра текущих настроек первого будильника нажмите кнопку «AL.1» (3).
3. Находясь в режиме отображения текущих настроек будильника, для изменения настроек повторно нажмите и удерживайте кнопку «AL.1» (3). На дисплее начнут мигать цифры часа.
4. Используя кнопки (7) и (9), выберите требуемый час.
5. Нажмите кнопку «AL.1» (3). На дисплее начнут мигать цифры минут.
6. Используя кнопки (7) и (9), выберите нужные минуты.
7. Нажмите кнопку «AL.1» (3). На дисплее начнут мигать символы типов сигнала будильника. Используя кнопки (7) и (9), выберите нужный тип сигнала: радио (RADIO), iPod/iPhone (соответствующий символ) или звуковой сигнал (BEEP).
8. Повторите действия 2-8 для второго будильника «AL.2» (5).

Примечание:

- Если в течение 10 секунд кнопки (7) и (9) не будут нажаты, произойдет возврат в режим отображения текущего времени.
- Срабатывание будильника происходит только при подключении устройства к электрической сети.
- Если в качестве сигнала будильника Вы выбрали iPod/iPhone, убедитесь, что устройство установлено в разьеме (4) правильно, в противном случае срабатывание будильника не произойдет.

Включение/выключение будильников

1. Для включения будильника (ов) нажмите и удерживайте кнопку «AL.1» (3) / «AL.2» (5) до появления на дисплее (13) символа включения будильника (ов).
2. Для выключения будильника нажмите и удерживайте соответствующую кнопку еще раз.

Повтор сигнала будильника

1. Сигнал будильника можно отложить на 9 минут нажатием кнопки (10) «SNOOZE/SLEEP». Через 9 минут сигнал будильника повторится.
2. Для отключения звукового сигнала будильника нажмите кнопку соответствующего будильника «AL.1» (3) / «AL.2» (5). Если в качестве звукового сигнала выбрано радио, то отключение радио произойдет автоматически: оно выключится через 1 час.

Примечание: Сигнал будильника будет звучать в течение 1 часа, если вы не нажмете никаких кнопок.

Установка яркости подсветки дисплея (13)

1. Подключите устройство к сети.
2. Повторно нажимая кнопку «DIMMER» (10), установите необходимую яркость подсветки дисплея.

Таймер

Вы можете установить время, по истечении которого произойдет автоматическое выключение радиочасов.

1. Подключите устройство к сети и нажмите кнопку вкл./выкл. (1).
2. Нажмите кнопку «SNOOZE/SLEEP» (10). На дисплее начнут мигать символы «90SLP», что означает автоматическое отключение радиочасов через 90 минут.
3. Установите необходимое время автоотключения (с шагом в 10 минут) повторными нажатиями кнопки (10) «SNOOZE/SLEEP». После возврата устройства в текущий режим работы на дисплее появятся символы «SLP».
4. Для отключения таймера повторно нажимайте кнопку «SNOOZE/SLEEP» (10) до появления на дисплее (13) символа «OFF» или выключите устройство, нажав кнопку вкл./выкл. (1).

Регулировка уровня громкости

Для установки желаемого уровня громкости используйте кнопки «VOL+» (11) и «VOL-» (12).

Гнездо «AUX IN» (16)

Вы можете прослушивать звуковой сигнал с внешнего устройства через динамики радиочасов. Для подключения внешнего устройства используйте гнездо «AUX IN» (16).

1. Подключите внешнее устройство при помощи аудиокабеля 3,5 мм Jack-Jack (не входит в комплект поставки).
2. Подключите радиочасы к сети и нажмите кнопку вкл./выкл. (1).
3. Последовательно нажимая кнопку (6) «FUNCTION», выберите режим работы «AUX», при этом на дисплее устройства появится соответствующий символ.

Прием радиостанций

1. Подключите устройство к сети и нажмите кнопку вкл./выкл. (1).
2. Последовательно нажимая кнопку (6) «FUNCTION», выберите режим прослушивания радио «RADIO».
3. При помощи кнопок (7) и (9) настройтесь на желаемую радиостанцию.

Ручная настройка: последовательно нажимайте кнопки (7) и (9) для выбора желаемой радиостанции с шагом 0,05 МГц в режиме FM.

Автоматический поиск: удерживайте нажатой кнопку (7) и (9) более 1 секунды. Тюнер начнет сканирование и автоматически остановит сканирование при нахождении ближайшего сильного сигнала от радиостанции.

1. Для выхода из режима прослушивания радио нажмите на кнопку (6) «FUNCTION», выберите другой режим работы, или выключите устройство нажатием кнопки вкл./выкл. (1).

Антенна (14)

Выберите положение антенны (14), подходящее для качественного приема.

Программирование радиостанций

Вы можете настроить и сохранить настройки 20 радиостанций в диапазоне FM.

1. Настройтесь на радиостанцию, которую вы хотите запрограммировать.
2. Нажмите и удерживайте кнопку(2) «SET.MEM» до появления мигающего символа радиоканала.
3. Последовательно нажимая кнопки (7) и (9), выберите номер радиоканала, под которым Вы хотите сохранить радиостанцию.
4. Нажмите еще раз кнопку (2) «SET.MEM», чтобы сохранить сделанные установки.
5. Повторите пункты 1–4 для всех радиостанций, частоты которых вы хотите сохранить в памяти устройства.
6. Для выбора предварительно запрограммированных радиостанций в режиме прослушивания радио последовательно нажимайте кнопку «▶ II /M+» (8) на корпусе устройства или кнопки «▶ II /M+» (29) и «REPEAT M-» (27) на ПДУ (20).

Работа с устройством iPod/iPhone

Выбор держателя

Для обеспечения правильной установки вашего iPod или iPhone в разъем (4) используйте один из четырех держателей согласно таблице:

Держатель	iPhone	Thin iPod	Thick iPod	Nano
Модель iPod/ iPhone	iPhone 3 iPhone 3 GS iPhone 4	iPod Touch второго, третьего или четвертого поколения	iPod Video пятого поколения	iPod Nano третьего, четвертого, пятого или шестого поколения

Синхронизация показаний времени радиочасов и iPod/iPhone/ зарядка iPod/iPhone

1. Подключите устройство к сети.
2. Подберите держатель для вашей модели iPod/iPhone.
3. Вставьте iPod/iPhone в разъем (4).
4. Зарядка аккумуляторных батарей iPod/iPhone начнется автоматически, а настройки времени радиочасов будут автоматически синхронизированы с настройками iPod/iPhone.

Примечание:

- Устройство не поддерживает зарядку iPod Shuffle.
- Функция синхронизации времени поддерживается со всеми моделями iPhone и медиа-плеера iPod Touch, iPod Nano, iPod Classic. Более ранние модели iPod не поддерживают функцию синхронизации времени.

Воспроизведение файлов с iPod/iPhone

1. Включите устройство, нажав на кнопку вкл./выкл. (1).
2. Последовательно нажимая кнопку (6) «FUNCTION», выберите режим работы с iPod/iPhone, при этом на дисплее появятся соответствующий символ.
3. Если на Вашем iPod/iPhone имеются файлы надлежащего формата, они начнут воспроизводиться с момента, когда их воспроизведение было остановлено или приостановлено.
4. Для воспроизведения нажмите кнопку «▶ II /M+» (8).
5. Для приостановки воспроизведения нажмите кнопку «▶ II /M+» (8) в режиме воспроизведения.

Переход к началу трека, предыдущему и следующему треку.

1. Для перехода к предыдущему или следующему треку, если воспроизведение остановлено, нажмите кнопку (7) или (9) соответственно.
2. Для перехода к началу воспроизводимого трека нажмите в режиме воспроизведения один раз кнопку (9).
3. Для перехода к следующему треку нажмите один раз кнопку (7) в режиме воспроизведения.
4. Для перехода к предыдущему треку нажмите в режиме воспроизведения два раза кнопку (9), если воспроизведение остановлено, нажмите кнопку (9) один раз.
5. Для быстрой перемотки, а также для перехода к предыдущим или следующим трекам нажмите и удерживайте кнопку (7) или (9) соответственно, звук при этом будет воспроизводиться прерывисто.

Пульт дистанционного управления (20)

Кнопки на пульте ДУ (20) соответствуют кнопкам на корпусе устройства:

20. Кнопка вкл./выкл. соответствует кнопке (1).
23. Кнопка «SNOOZE/SLEEP/DIMMER» соответствует кнопке (10).
25. Кнопка увеличения громкости «VOL+» соответствует кнопке (11).
26. Кнопка уменьшения громкости «VOL-» соответствует кнопке (12).
28. Кнопка увеличения частоты настройки/ перехода к следующему треку на iPod/iPhone соответствует кнопке (7).
29. Кнопка воспроизведения/остановки воспроизведения/ перехода к запрограммированной радиостанции «▶ || /M+» соответствует кнопке (8).
30. Кнопка вкл./выкл. /настройки второго будильника «AL.2» соответствует кнопке (5).
31. Кнопка установки времени/ программирования радиостанций «SET.MEM» соответствует кнопке (2).
32. Кнопка вкл./выкл. /настройки первого будильника «AL.1» соответствует кнопке (3).
34. Кнопка уменьшения частоты настройки/ перехода к предыдущему треку на iPod/iPhone соответствует кнопке (9).
36. Кнопка переключения режимов работы «FUNCTION» соответствует кнопке (6).

Навигация в меню iPod/iPhone

1. Для просмотра меню в режиме прослушивания iPod/iPhone нажмите кнопку «MENU» (37) на ПДУ (20).
2. Для перехода на один уровень меню вверх еще раз нажмите кнопку «MENU» (37).
3. Для навигации вверх/вниз по пунктам меню используйте кнопки (33) и (35).
4. Для открытия выбранной папки/воспроизведения выбранного трека нажмите кнопку «SELECT» (22).

Примечание:

- При работе с пунктами меню воспроизведение ранее выбранного трека происходит в фоновом режиме.
- Управлять фоновым воспроизведением трека Вы можете нажатием кнопок (7), (8), (9) на корпусе устройства или кнопок (28), (29), (34) на ПДУ (20).

Повтор воспроизведения

1. Для повтора одного трека нажмите кнопку «REPEAT M-» (27) один раз.
2. Для повтора всех треков нажмите кнопку «REPEAT M-» (27) два раза.
3. Для отмены повтора воспроизведения нажмите кнопку «REPEAT M-» (27) еще раз.

Произведение треков в произвольном порядке

1. Для произведения треков в произвольном порядке нажмите кнопку «SHUFFLE» (24) на ПДУ (20).
2. Для отмены произвольного воспроизведения повторно нажмите кнопку «SHUFFLE» (24).

Регулирование громкости

Кнопки (33) и (35) на пульте ДУ также регулируют уровень громкости на iPod/iPhone, которая соответствует громкости воспроизведения через наушники. Для увеличения уровня громкости на динамиках радиочасов используйте кнопки «VOL+» (11) и «VOL-» (12) на корпусе устройства или «VOL+» (25) и «VOL-» (26) на ПДУ (20).

ЧИСТКА И УХОД

- Перед чисткой отключите устройство от сети.
- Для чистки устройства используйте мягкую ткань.
- Запрещается использовать для этих целей жидкие или аэрозольные чистящие средства.

ХРАНЕНИЕ

- Перед тем, как убрать устройство на хранение, произведите его чистку.
- Храните устройство в сухом прохладном месте, недоступном для детей.

Технические характеристики

Электропитание: 220–240 В ~ 50 Гц

Выходное напряжение с сетевого адаптера: 5 В, 2000 мА

Резервное питание: два элемента 1,5 В типа «AAA»

Диапазон принимаемых радиочастот FM: 87,5-108 МГц

Производитель оставляет за собой право изменять характеристики прибора без предварительного уведомления.

Срок службы прибора – 3 года



Данное изделие соответствует всем требуемым европейским и российским стандартам безопасности и гигиены.

*Производитель: АН-ДЕР ПРОДАКТС ГмбХ, Австрия
Нойбаугюртель 38/7А, 1070 Вена, Австрия
Сделано в Китае*

Радіогодинник (з доком для iPod / iPhone) VT-3520

Опис

1. Кнопка вкл. / викл. пристрою
2. Кнопка установки часу / програмування радіостанцій «SET.MEM»
3. Кнопка вкл. / викл. / налаштування першого будильника «AL.1»
4. Роз'єм для iPod / iPhone
5. Кнопка вкл. / викл. / налаштування другого будильника «AL.2»
6. Кнопка перемикання режимів роботи «FUNCTION»
7. Кнопка збільшення частоти настройки / переходу до наступного треку на iPod / iPhone
8. Кнопка відтворення / зупинки відтворення / переходу до запрограмованої радіостанції «▶ II /M+»
9. Кнопка зменшення частоти настройки / переходу до попереднього треку на iPod / iPhone
10. Кнопка повтору сигналу будильника / таймера / регулювання яскравості дисплея «SNOOZE / SLEEP / DIMMER»
11. Кнопка збільшення гучності звуку «VOL +»
12. Кнопка зменшення гучності звуку «VOL-»
13. Дисплей
14. Провід FM-антени
15. Гніздо живлення «DC»
16. Гніздо для підключення зовнішніх пристроїв «AUX IN»
17. Кришка батарейного відсіку
18. Штекер проводу мережевого адаптера
19. Мережевий адаптер
20. Пульт дистанційного управління (ПДУ)

Пульт дистанційного управління:

21. Кнопка вкл. / викл.
22. Кнопка вибору папки / треку в меню iPod / iPhone
23. Кнопка повтору сигналу будильника / таймера / регулювання яскравості дисплея «SNOOZE / SLEEP / DIMMER»
24. Кнопка вкл. / викл. довільного порядку «SHUFFLE»
25. Кнопка збільшення гучності звуку «VOL +»
26. Кнопка зменшення гучності звуку «VOL-»
27. Кнопка повторного відтворення / вибору запрограмованої радіостанції «REPEAT M-»
28. Кнопка збільшення частоти настройки / переходу до наступного треку на iPod / iPhone
29. Кнопка відтворення / зупинки відтворення / переходу до запрограмованої радіостанції «▶ II /M+»
30. Кнопка вкл. / викл. / налаштування другого будильника «AL.2»
31. Кнопка установки часу / програмування радіостанцій «SET.MEM»
32. Кнопка вкл. / викл. / налаштування першого будильника «AL.1»
33. Кнопка переміщення по пунктах меню iPod / iPhone (вниз)
34. Кнопка зменшення частоти настройки / переходу до попереднього треку на iPod / iPhone
35. Кнопка переміщення по пунктах меню iPod / iPhone (вгору)
36. Кнопка перемикання режимів роботи «FUNCTION»
37. Кнопка переходу до меню iPod / iPhone / на один рівень меню вгору

ЗАХОДИ БЕЗПЕКИ

Перед підключенням, використанням і налаштуванням пристрою уважно ознайомтесь з інструкцією. Необхідно дотримуватися всіх попереджень і рекомендацій з експлуатації пристрою, наведених в цій інструкції.

Збережіть інструкцію, використовуйте її надалі в якості довідкового матеріалу.

- Перевірте, чи відповідає напруга в електричній мережі напрузі, вказаної на мережевому адаптері пристрою.
- Щоб уникнути виникнення пожежі або ураження електричним струмом не піддавайте пристрій дії дощу або вологи.
- Забороняється занурювати прилад, мережевий адаптер та шнур мережевого адаптера у воду або будь-які інші рідини.
- Щоб уникнути виникнення пожежі або ураження електричним струмом не розміщуйте цей пристрій в умовах підвищеної вологості (близько ванн, ємностей з водою, кухонних раковин, пральних машин, поруч з плавальним басейном, в сирих підвалах тощо). Не допускайте попадання на пристрій крапель або бризок.
- Не допускайте перевантаження розеток або подовжувачів, так як це може призвести до пожежі або ураження електричним струмом.
- Встановіть пристрій таким чином, щоб у разі несправності мережевий адаптер можна було негайно вийняти з розетки.
- Для додаткового захисту пристрою під час грози, а також у тих випадках, коли ви не збираєтеся використовувати його протягом тривалого часу, вимкніть пристрій від розетки електромережі. Це виключить вихід пристрою з ладу через удари блискавки або стрибків напруги в електромережі.
- При відключенні пристрою беріться безпосередньо за мережевий адаптер, ні в якому разі не тягніть за шнур.
- Щоб уникнути удару електричним струмом не відкривайте пристрій самостійно. Не ремонтуйте прилад і не вносьте в нього зміни. При виявленні несправностей відключіть прилад від мережі і зверніться в авторизований (уповноважений) сервісний центр.
- Розміщувати пристрій слід у місцях з достатньою вентиляцією. Не закривайте вентиляційні отвори приладу.
- Пристрій слід розміщувати на рівній, стійкій поверхні, вдалині від обладнання з сильними магнітними полями, наприклад від відео -, аудіо магнітофонів або великих колонок, так як силові лінії магнітного поля від цих пристроїв можуть спричинити перешкоди в звуці.
- Не сполучайте FM-антену з зовнішньою антеною.
- Не розміщуйте пристрій поблизу джерел тепла, наприклад, радіаторів, електрообігрівачів, духовок, а також у місцях, що піддаються впливу прямих сонячних променів, надмірного запилення, вібрації або механічним ударам. Не ставте на пристрій джерела відкритого полум'я - наприклад, свічки.
- Не допускайте потрапляння сторонніх предметів в отвори пристрою.
- Цей пристрій не призначений для використання дітьми та людьми з обмеженими можливостями. У виняткових випадках особа, відповідальна за їхню безпеку, має дати відповідні і зрозумілі інструкції про безпечне використання пристрою і тиєї небезпеки, яка може виникати при його неправильному використанні.
- Зберігайте прилад у місцях, недоступних для дітей.
- Не дозволяйте дітям використовувати прилад в якості іграшки.
- Пристрій призначений тільки для домашнього використання.

Підключення живлення

- Для підключення пристрою до електромережі вставте штекер проводу мережевого адаптера (18) у роз'єм «DC» (15). Мережевий адаптер (19) підключіть до розетки мережі змінного струму.
- Прилад обладнаний вбудованою батарейною системою резервного живлення, яка дозволяє у випадку зникнення напруги в мережі змінного струму зберегти параметри поточного часу, таймера, будильника і налаштування на запрограмовані радіостанції. Як тільки напруга в мережі відновлюється, пристрій перемикається на живлення від мережевого адаптера.

УКРАЇНСЬКА

- Відкрийте кришку батарейного відсіку (17) і, дотримуючись полярності, встановіть два елементи живлення «AAA» (елементи живлення не входять в комплект постачання).

Увага!

Протікання батарейок може бути небезпечним, тому що може стати причиною пошкодження пристрою і навіть призвести до травм. Щоб уникнути протікання батарей, дотримуйтеся наведених нижче рекомендацій:

- встановлюйте елементи живлення, дотримуючись полярності;
- виймайте батарейки, якщо пристрій не буде використовуватися протягом тривалого часу;
- не перезаряджайте батарейки, не розбирайте їх, не піддавайте впливу високої температури;
- своєчасно міняйте батарейки.

Настройка часу

Ручна настройка часу

1. Підключіть пристрій до мережі.
2. Натисніть і утримуйте кнопку «SET.MEM» (2), на дисплеї почнуть мигати символи, що позначають формат часу: 12 годин (12Hr) або 24 години (24Hr).
3. Використовуючи кнопки (7) і (9), виберіть формат часу.
4. Натисніть кнопку «SET.MEM» (2). На дисплеї почнуть мигати цифри (години).
5. Використовуючи кнопки (7) і (9), виберіть потрібну годину.
6. Натисніть кнопку «SET.MEM» (2). На дисплеї почнуть мигати цифри (хвилини).
7. Використовуючи кнопки (7) і (9), виберіть потрібне значення хвилин.

Примітка: Якщо під час установки протягом 10 секунд кнопки (7) або (9) не будуть натиснуті, відбудеться повернення в режим відображення поточного часу.

Установка часу вмикання (спрацювання) будильників (AL.1 і AL.2)

1. Підключіть пристрій до мережі.
2. Для перегляду поточних налаштувань першого будильника натисніть кнопку «AL.1» (3).
3. Перебуваючи в режимі відображення поточних настройок будильника, щоб змінити установки повторно натисніть і утримуйте кнопку «AL.1» (3). На дисплеї почнуть мигати цифри години.
4. Використовуючи кнопки (7) і (9), виберіть потрібну годину.
5. Натисніть кнопку «AL.1» (3). На дисплеї почнуть мигати цифри хвилин.
6. Використовуючи кнопки (7) і (9), виберіть потрібні хвилини.
7. Натисніть кнопку «AL.1» (3). На дисплеї почнуть мигати символи типів сигналу будильника. Використовуючи кнопки (7) і (9), виберіть потрібний тип сигналу: радіо (RADIO), iPod / iPhone (відповідний символ) або звуковий сигнал (BEEP).
8. Повторіть дії 2-8 для другого будильника «AL.2» (5).

Примітка:

- Якщо протягом 10 секунд кнопки (7) і (9) не будуть натиснуті, відбудеться повернення в режим відображення поточного часу.
- Спрацювання будильника відбувається тільки при підключенні пристрою до електричної мережі.
- Якщо в якості сигналу будильника Ви вибрали iPod / iPhone, переконайтеся, що пристрій встановлено в роз'ємі (4) правильно, інакше спрацювання будильника не відбудеться.

Включення / виключення будильників

1. Для включення будильника (ів), натисніть і утримуйте кнопку «AL.1» (3) / «AL.2» (5) до появи на дисплеї (13) символу включення будильника (ів).

- Для виключення будильника натисніть і утримуйте відповідну кнопку ще раз.

Повтор сигналу будильника

- Сигнал будильника можна відкласти на 9 хвилин натисненням кнопки (10) «SNOOZE / SLEEP». Через 9 хвилин сигнал будильника повториться.
- Для відключення звукового сигналу будильника натисніть кнопку відповідного будильника (3) «AL.1»/(5)«AL.2». Якщо як звуковий сигнал вибрано радіо, то воно автоматично вимкнеться через 1 годину.

Примітка: Сигнал будильника буде звучати протягом 1 години, якщо ви не натиснете жодних кнопок.

Установка яскравості підсвічування дисплея (13)

- Підключіть пристрій до мережі.
- Повторно натиснувши на кнопку «DIMMER» (10), встановіть необхідну яскравість підсвічування дисплея.

Таймер

Ви можете встановити час, після якого відбудеться автоматичне виключення радіогодинника.

- Підключіть пристрій до мережі та натисніть кнопку вкл. / викл. (1).
- Натисніть кнопку «SNOOZE / SLEEP» (10). На дисплеї почнуть мигати символи «90SLP», що означає автоматичне відключення радіогодинника через 90 хвилин.
- Встановіть необхідний час автовідключення (з кроком в 10 хвилин) повторними натисненнями кнопки (10) «SNOOZE / SLEEP». Після повернення пристрою в поточний режим роботи на дисплеї з'являться символи «SLP».
- Для відключення таймера повторно натискайте кнопку «SNOOZE / SLEEP» (10), до появи на дисплеї (13) символу «OFF» або вимкніть пристрій, натиснувши кнопку вкл. / викл. (1).

Регулювання рівня гучності

Для установки бажаного рівня гучності використовуйте кнопки «VOL +» (11) і «VOL-» (12).

Гніздо «AUX IN» (16)

Ви можете прослуховувати звуковий сигнал із зовнішнього пристрою через динаміки радіогодинника.

- Для підключення зовнішнього пристрою використовуйте гніздо «AUX IN» (16).
- Підключіть зовнішній пристрій за допомогою аудіо кабелю 3,5 мм Jack-Jack (не входить в комплект постачання).
- Підключіть радіогодинник до мережі і натисніть кнопку вкл. / викл. (1).
- Послідовно натискаючи кнопку (6) «FUNCTION», виберіть режим роботи «AUX», при цьому на дисплеї пристрою з'явиться відповідний символ.

Приєм радіостанцій

- Підключіть пристрій до мережі та натисніть кнопку вкл. / викл. (1).
- Послідовно натискаючи кнопку (6) «FUNCTION», виберіть режим прослуховування радіо «RADIO».
- За допомогою кнопок (7) і (9) налаштуйтеся на бажану радіостанцію.

Ручна настройка: послідовно натисніть кнопки (7) і (9) для вибору бажаної радіостанції з кроком 0,05 МГц у режимі FM.

Автоматичний пошук: тримайте натиснутою кнопку (7) і (9) більше 1 секунди. Тюнер почне сканування і автоматично зупинить сканування при знаходженні найближчого сильного сигналу від радіостанції.

УКРАЇНСЬКА

1. Для виходу з режиму прослуховування радіо натисніть на кнопку (6) «FUNCTION», обравши інший режим роботи, або вимкніть пристрій натисканням кнопки вкл. / викл. (1).

Антенa (14)

Виберіть положення антени (14), відповідне для якісного прийому.

Програмування радіостанцій

Ви можете налаштувати і зберегти налаштованими 20 радіостанцій в діапазоні FM.

1. Налаштуйтеся на радіостанцію, яку ви хочете запрограмувати.
2. Натисніть і утримуйте кнопку (2) «SET.MEM» до появи миготливого символу радіоканалу.
3. Послідовно натискаючи кнопки (7) і (9), виберіть номер радіоканалу, під яким Ви хочете зберегти радіостанцію.
4. Натисніть ще раз кнопку (2) «SET.MEM», щоб зберегти зроблені установки.
5. Повторіть пункти 1-4 для всіх радіостанцій, частоти яких ви хочете зберегти в пам'яті пристрою.
6. Для вибору попередньо запрограмованих радіостанцій в режимі прослуховування радіо послідовно натискайте кнопку «▶ || /M+» (8) на корпусі пристрою або кнопки «▶ || /M+» (29) та «REPEAT M-» (27) на ПДУ (20).

Робота з пристроєм iPod / iPhone

Вибір утримувача

Для забезпечення правильної установки вашого iPod або iPhone в роз'ємі (4) використовуйте один з чотирьох утримувачів відповідно до таблиці:

Утримувач	iPhone	Thin iPod	Thick iPod	Nano
Модель iPod/ iPhone	iPhone 3 iPhone 3 GS iPhone 4	iPod Touch другого, третього або четвертого покоління	iPod Video п'ятого покоління	iPod Nano третього, четвертого, п'ятого чи шостого покоління

Синхронізація показань часу радіогодинника і iPod / iPhone / зарядка iPod / iPhone

1. Підключіть пристрій до мережі.
2. Підберіть утримувач для вашої моделі iPod / iPhone.
3. Вставте iPod / iPhone в роз'єм (4).
4. Зарядка акумуляторних батарей iPod / iPhone почнеться автоматично, а налаштування часу радіогодинника буде автоматично синхронізовано з настройками iPod / iPhone.

Примітка:

- Пристрій не підтримує зарядку iPod Shuffle.
- Функція синхронізації часу підтримується з усіма моделями iPhone і медіа-плеєра iPod Touch, iPod Nano, iPod Classic. Більш ранні моделі iPod не підтримують функцію синхронізації часу.

Відтворення файлів з iPod / iPhone

1. Увімкніть пристрій, натиснувши на кнопку вкл. / викл. (1).
2. Послідовно натискаючи кнопку (6) «FUNCTION», виберіть режим роботи з iPod / iPhone, при цьому на дисплеї з'явиться відповідний символ.
3. Якщо на Вашому iPod / iPhone є файли належного формату, вони почнуть відтворюватися з моменту, коли їх відтворення було зупинено або припинено.
4. Для відтворення натисніть кнопку «▶ || /M+» (8).
5. Щоб призупинити відтворення, натисніть кнопку «▶ || /M+» (8) в режимі відтворення.

Перехід до початку треку, попереднього і наступного треку.

1. Для переходу до попереднього або наступного треку, якщо відтворення зупинено, натисніть кнопку (7) або (9) відповідно.
1. Для переходу до початку відтвореного треку натисніть в режимі відтворення один раз кнопку (9).
2. Для переходу до наступного треку натисніть один раз кнопку (7) в режимі відтворення.
3. Для переходу до попереднього треку натисніть в режимі відтворення два рази кнопку (9), якщо відтворення зупинено, натисніть кнопку (9) один раз.
4. Для швидкого перемотування, а також для переходу до попередніх або наступних треків натисніть і утримуйте кнопку (7) або (9) відповідно, звук при цьому буде відтворюватися уривчасто.

Пульт дистанційного управління (20)

Кнопки на пульті ДУ (20) відповідають кнопкам на корпусі пристрою:

20. Кнопка вкл. / викл. відповідає кнопці (1).
23. Кнопка «SNOOZE / SLEEP / DIMMER» відповідає кнопці (10).
25. Кнопка збільшення гучності «VOL +» відповідає кнопці (11).
26. Кнопка зменшення гучності «VOL-» відповідає кнопці (12).
28. Кнопка збільшення частоти настройки / переходу до наступного треку на iPod / iPhone відповідає кнопці (7).
29. Кнопка відтворення / зупинки відтворення / переходу до запрограмованої радіостанції «▶ II /M+» відповідає кнопці (8).
30. Кнопка вкл. / викл. / налаштування другого будильника «AL.2» відповідає кнопці (5).
31. Кнопка установки часу / програмування радіостанції «SET.MEM» відповідає кнопці (2).
32. Кнопка вкл. / викл. / налаштування першого будильника «AL.1» відповідає кнопці (3).
34. Кнопка зменшення частоти настройки / переходу до попереднього треку на iPod / iPhone відповідає кнопці (9).
36. Кнопка перемикання режимів роботи «FUNCTION» відповідає кнопці (6).

Навігація в меню iPod / iPhone

1. Для перегляду меню в режимі прослуховування iPod / iPhone натисніть кнопку «MENU» (37) на ПДУ (20).
2. Для переходу на один рівень меню вгору ще раз натисніть кнопку «MENU» (37).
3. Для навігації вгору / вниз по пунктах меню використовуйте кнопки (33) і (35).
4. Для відкриття вибраної папки / відтворення вибраного треку натисніть кнопку «SELECT» (22).

Примітка:

- **При роботі з пунктами меню відтворення раніше обраного треку відбувається у фоновому режимі.**
- **Управляти фоновим відтворенням треку Ви можете натисненням кнопок (7), (8), (9) на корпусі пристрою або кнопок (28), (29), (34) на ПДУ (20).**

Повтор відтворення

1. Для повтору одного трека натисніть кнопку «REPEAT M-» (27) один раз.
2. Для повтору всіх треків натисніть кнопку «REPEAT M-» (27) два рази.
3. Для скасування повтору відтворення натисніть кнопку «REPEAT M-» (27) ще раз.

Відтворення треків у довільному порядку

1. Для відтворення треків у довільному порядку натисніть кнопку «SHUFFLE» (24) на ПДУ (20).
2. Для скасування довільного відтворення повторно натисніть кнопку «SHUFFLE» (24).

Регулювання гучності

Кнопки (33) і (35) на пульті ДУ також регулюють рівень гучності на iPod / iPhone, який відповідає гучності відтворення через навушники. Для збільшення рівня гучності на динаміках

УКРАЇНСЬКА

радіогодинника використовуйте кнопки «VOL +» (11) і «VOL-» (12) на корпусі пристрою або «VOL +» (25) і «VOL-» (26) на ПДУ (20).

ЧИЩЕННЯ ТА ДОГЛЯД

- Перед чищенням відключіть пристрій від мережі.
- Для чищення пристрою використовуйте м'яку тканину.
- Забороняється використовувати для цих цілей рідкі або аерозольні засоби для чищення.

ЗБЕРІГАННЯ

- Перед тим, як прибрати пристрій на зберігання, зробіть його чистку.
- Зберігайте пристрій у сухому прохолодному місці, недоступному для дітей.

Технічні характеристики

Електроживлення: 220–240 В ~ 50 Гц

Вихідна напруга з мережевого адаптера: 5 В, 2000 мА

Резервне живлення: два елементи 1,5 В типу «AAA»

Діапазон радіочастот FM: 87,5-108 МГц

Виробник залишає за собою право змінювати характеристики приладу без попереднього повідомлення.

Термін служби приладу - 3 роки

Гарантія

Докладні умови гарантії можна отримати в дилера, що продав дану апаратуру. При пред'явленні будь-якої претензії протягом терміну дії даної гарантії варто пред'явити чек або квитанцію про покупку.



Даний виріб відповідає вимогам до електромагнітної сумісності, що пред'являються директивою 89/336/ЄЕС Ради Європи й розпорядженням 23/73 ЄЕС по низьковольтних апаратурах.

Радиосағат (iPod/iPhone-а арналған догы бар) VT-3520**Сипаттамасы**

1. Құрылғыны іске қосу/айыру батырмасы
2. «SET.MEM» уақытты белгілеу/радиостанцияларды баптау батырмасы
3. «AL.1» бірінші оятқышты іске қосу/айыру/баптау батырмасы
4. iPod/iPhone-а арналған ағытпа
5. «AL.2» екінші оятқышты іске қосу/айыру/баптау батырмасы
6. «FUNCTION» жұмыс режимдерін ауыстыру батырмасы
7. iPod/iPhone-ағы баптау жиілігін ұлғайту/кейінгі трекке өту батырмасы
8. «▶ || /M+» жаңғырту/жаңғыртуды тоқтату/бағдарламаланған радиостанцияға өту батырмасы
9. iPod/iPhone-ағы баптау жиілігін азайту/дейінгі трекке өту батырмасы
10. «SNOOZE/SLEEP/DIMMER» оятқыш сигналын қайталау/таймер/дисплей жарықтығын реттеу батырмасы
11. «VOL+» дыбыс деңгейін зорайту батырмасы
12. «VOL-» дыбыс деңгейін азайту батырмасы
13. Дисплей
14. FM-антенна бауы
15. «DC» қоректендіру ұясы
16. «AUX IN» сыртқы құрылғыларды қосуға арналған ұя
17. Батареялық бөлік қақпағы
18. Желілік бейімдеуіш бауының штекері
19. Желілік бейімдеуіш
20. Қашықтан басқару пульты (ҚБП)

Қашықтан басқару пульты:

21. Іске қосу/айыру батырмасы.
22. iPod/iPhone мәзіріндегі қапшықты/тректі таңдау батырмасы
23. «SNOOZE/SLEEP/DIMMER» оятқыш сигналын қайталау/таймер/дисплей жарықтығын реттеу батырмасы
24. «SHUFFLE» еркін кезекпен жаңғыртуды іске қосу/айыру батырмасы
25. «VOL+» дыбыс деңгейін зорайту батырмасы
26. «VOL-» дыбыс деңгейін азайту батырмасы
27. «REPEAT M-» қайталап жаңғырту/бағдарламаланған радиостанцияға өту батырмасы
28. iPod/iPhone-ағы баптау жиілігін ұлғайту/кейінгі трекке өту батырмасы
29. «▶ || /M+» жаңғырту/жаңғыртуды тоқтату/бағдарламаланған радиостанцияға өту батырмасы
30. «AL.2» екінші оятқышты іске қосу/айыру/баптау батырмасы
31. «SET.MEM» уақытты белгілеу/радиостанцияларды баптау батырмасы
32. «AL.1» бірінші оятқышты іске қосу/айыру/баптау батырмасы
33. iPod/iPhone мәзірінің тармақтары бойынша жылжу батырмасы (астына)
34. iPod/iPhone-ағы баптау жиілігін азайту/дейінгі трекке өту батырмасы
35. iPod/iPhone мәзірінің тармақтары бойынша жылжу батырмасы (жоғары)
36. «FUNCTION» жұмыс режимдерін ауыстыру батырмасы
37. iPod/iPhone мәзіріне/мәзірдің бір деңгейіне жоғары өту батырмасы

ҚАУІПСІЗДІК ШАРАЛАРЫ

Құрылғыны іске қосу, пайдалану және баптау алдында, нұсқаулықты зейін қойып оқып шығыңыз. Осы нұсқауда құрылғыны пайдалану бойынша келтірілген барлық ескертулер мен ұсыныстарды сақтау қажет.

Нұсқауды сақтаңыз, оны келешекте анықтамалық мәліметтер ретінде пайдаланыңыз.

- Электр желісіндегі кернеудің құрылғының жұмыс кернеуіне сәйкес келетенін тексеріңіз.
- Өрттің пайда болуын немесе электр тоғы соққысын болдырмау үшін құрылғыға жаңбырдың немесе ылғалдың есерін тигізбеңіз.

ҚАЗАҚ

- Аспапты, желілік бейімдеуішті, желілік бейімдеуіштің бауын суға салуға тыйым салынады.
- Өрттің пайда болуын немесе электр тоғы соққысын болдырмау үшін бұл құрылғыны жоғары ылғалды жерлерде орналастырмаңыз (жуынатын бөлмелердің, суы бар шылапшындардың, асханалық бақалшақтардың, кір жуатын машиналардың, жүзу хауыздарының қасында, дымқыл жерлерде және т.с.с.) Құрылғыға тамшылардың немесе шашырандылардың тиюін болдырмаңыз.
- Ашалықтар мен ұзартқыштарды шамадан тыс жүктемеңіз, себебі бұл өртке немесе электр тоғымен зақымдануға соқтыруы мүмкін.
- Бұзылу жағдайында желілік баудың айыр тетігін ашалықтан тез арада ажыратуға мүмкін болатындай етіп бұл құрылғыны орналастырыңыз.
- Құрылғыны найзағай уақытында, сонымен қатар сіз оны ұзақ уақыт бойы пайдаланбайтын жағдайларда қосымша қорғау үшін, оны электрқорегі розеткасынан ажыратыңыз. Бұл найзағай ұрғанда немесе электр желісіндегі секірулерден құрылғының істен шығуын болдырмайды.
- Желілік бауды ажырату үшін тікелей айыр тетіктен ұстаңыз, ешбір жағдайда баудан тартпаңыз.
- Электр тоғы соққысын болдырмау үшін құрылғы қорабын өз бетіңізбен ашаңыз. Аспапты жөндемеңіз және оған өзгертулер енгізбеңіз. Қызмет көрсету орталықтарының білікті мамандары ғана сервистік қызмет көрсетуді жүзеге асыруы керек.
- Құрылғыны желдетісі жеткілікті жерде орналастырыңыз. Аспаптың желдететін саңылауларын жаппаңыз.
- Құрылғыны түзу, тұрақты бетке, күшті магнитті өрісі бар жабдықтардан, мысалы видео-, аудиоманитофондардан немесе үлкен колонкалардан алыс орнатыңыз, себебі бұл құрылғылардың магнитті өрісінің электр тізбектері дыбысқа шуылдар енгізуі мүмкін.
- FM-антеннаны сыртқы антеннамен қоспаңыз.
- Құрылғыны жылу көздерінің, мысалы, радиаторлардың, электр жылытқыштардың, тандырлардың және жылу көзі болып табылатын басқа құрылғылардың қасында, сонымен қатар тікелей күн сәулелерінің әсеріне, шамадан тыс шаңдануға, вибрацияға немесе механикалық соққыларға ұшырайтын жерлерде орналастырмаңыз. Құрылғыға шырақ сияқты ашық от көздерін қоймаңыз.
- Құрылғы қорабындағы саңылауларына бөтен заттардың түсуіне жол бермеңіз.
- Егер аспапты балалар немесе мүмкіндіктері шектеулі адамдар пайдаланса аса назар болыңыз.
- Берілген құрылғы балаларға немесе мүмкіндіктері шектеулі адамдарға пайдалануға арналмаған. Ерекше жағдайларда, олардың қауіпсіздігі үшін жауап беретін тұлға, құрылғыны қауіпсіз пайдалану және оны дұрыс пайдаланбаған кезде пайда бола алатын қауіптер туралы сәйкес және түсінікті нұсқаулықтар беруі керек.
- Аспапты балалардың қолы жетпейтін жерде сақтаңыз.
- Балаларға аспапты ойыншық ретінде пайдалануға рұқсат етпеңіз
- Құрылғы үйде пайдалануға ғана арналға

Қоректендіруді қосу

- Құрылғыны электр желісіне қосу үшін желілік бейімдеуіш бауының штекерін (18) «DC» ағытпасына (15) салыңыз. Желілік бейімдеуішті (19) ауыспалы тоқ желісінің ашалығына салыңыз.
- Аспап қосымша қоректендірудің іштетілген батареялық жүйесімен жабдықталған, ол ауыспалы тоқ желісінде кернеу болмаған жағдайда ағымдағы уақыттың, таймердің, оятқыштың баптауларын және бағдарламаланған радиостанциялар баптауларын сақтауға мүмкіндік береді. Желідегі кернеу қалпына келгенде, құрылғы желілік бейімдеуіштен қоректенуге көшеді.
- Батареялық бөлік қақпағын (17) ашыңыз және, үйектілікті сақтай отырып, екі «AAA» қоректендіру элементін салыңыз (қоректендіру элементтері жеткізілім жинағына енбейді).

Назар аударыңыз!

Қоректендіру элементінің ағып кетуі жарақаттардың немесе құрылғының бұзылуының себебі болуы мүмкін. Құрылығының бұзылуын болдырмау үшін төменде келтірілген нұсқаулықтарды ұстаныңыз:

- қоректендіру элементін дұрыс орнатыңыз;
егер құрылғы ұзақ уақыт бойы пайдаланылмайтын болса қоректендіру элементін алып тастаңыз;
- қоректендіру элементін қайта зарядтамаңыз, оны бөлшектемеңіз, жоғары температура әсеріне ұшыратпаңыз;
- қоректендіру элементін уақытында айырбастап тұрыңыз.

Уақытты баптау**Уақытты қолмен баптау**

1. Құрылғыны желіге қосыңыз.
2. «SET.MEM» батырмасын (2) басып ұстап тұрыңыз, дисплейде уақытты көрсету өлшемін білдіретін таңбалар жанып-сөне бастайды: 12 сағат (12Hr) немесе 24 сағат (24Hr).
3. Батырмаларды (7) және (9) пайдаланып, уақытты көрсету өлшемін таңдаңыз.
4. «SET.MEM» батырмасын(2) басыңыз. Дисплейде сандар (сағаттар) жанып-сөне бастайды.
5. Батырмаларды (7) және (9) пайдаланып, қажетті сағатты таңдаңыз.
6. «SET.MEM» батырмасын(2) басыңыз. Дисплейде сандар (минуттар) жанып-сөне бастайды.
7. Батырмаларды (7) және (9) пайдаланып, қажетті минут мәнін таңдаңыз.

Ескерту: Егер белгілеу уақытында 10 секунд бойы батырмалар (7) немесе (9) басылмайтын болса, ағымдағы уақытты көрсету режиміне қайту жүзеге асады.

Оятқыштардың іске қосылу (жұмыс істеу) уақытын белгілеу (AL.1 және AL.2)

1. Құрылғыны желіге қосыңыз.
2. Бірінші оятқыштың баптауларын көру үшін «AL.1» батырмасын (3) басыңыз.
3. Оятқыштың ағымдағы баптауларын көрсету режимінде болып, баптауларды өзгерту үшін «AL.1» батырмасын (3) қайталап басып ұстап тұрыңыз. Дисплейде сандар (сағаттар) жанып-сөне бастайды.
4. Батырмаларды (7) және (9) пайдаланып, қажетті сағатты таңдаңыз.
5. «AL.1» батырмасын (3) басыңыз. Дисплейде сандар (минуттар) жанып-сөне бастайды.
6. Батырмаларды (7) және (9) пайдаланып, қажетті минут мәнін таңдаңыз.
7. «AL.1» батырмасын (3) басыңыз. Дисплейде оятқыш сигналының түрлерінің таңбалары жанып-сөне бастайды. Батырмаларды (7) және (9) пайдаланып, қажетті сигнал түрін таңдаңыз: радио (RADIO), iPod/iPhone (сәйкес таңба) немесе дыбыстық сигнал (BEEP).
8. 2-8 әрекеттерін екінші оятқыш «AL.2» (5) үшін қайталаңыз.

Ескерту:

- Егер 10 секунд бойы батырмалар (7) немесе (9) басылмайтын болса, ағымдағы уақытты көрсету режиміне қайту жүзеге асады.
- Оятқыштың жұмыс істеуі құрылғы электр желісініне қосылғанда ғана жүзеге асады.
- Егер оятқыш стгналы ретінде Сіз iPod/iPhone-ы таңдасаңыз, құрылғы ағытпаға (4) дұрыс орнатылғанына көз жеткізіңіз, кері жағдайда оятқыш жұмыс істемейді.

Оятқыштарды іске қосу/айыру

1. Оятқышты (тарды) іске қосу үшін «AL.1» (3) / «AL.2» (5) батырмасын дисплейде (13) оятқыштың (тардың) іске қосылу таңбасы пайда болғанға дейін басып тұрыңыз.
2. Оятқышты айыру үшін сәйкес батырманы қайталап басып ұстап тұрыңыз.

Оятқыш сигналын қайталау

1. Оятқыш сигналын «SNOOZE/SLEEP» батырмасын (10) басып 9 минутқа кейін қалдыруға болады. 9 минуттан кейін оятқыш сигналы қайталанады.
2. Оятқыштың дыбыстық сигналын сөндіру үшін сәйкес оятқыштың батырмасын (3) «AL.1»/ (5) «AL.2» басыңыз. Егер дыбыстық сигнал ретінде радио таңдалған болса, онда ол 1 сағаттан кейін автоматты сөнеді.

Ескерту: *Егер сіз ешқандай батырманы баспайтын болсаңыз, оятқыш сигналы 1 сағат бойы ойнайды.*

Дисплей көмескілеуінің жарықтығын (13) белгілеу

1. Құрылғыны желіге қосыңыз.
2. «DIMMER» батырмасын (10) қайталап басып, дисплей көмескілеуінің қажетті жарықтығын белгілеңіз.

Таймер

Сіз радиосағаттың автоматты сөнуі жүзеге асатын уақытты белгілей аласыз.

1. Құрылғыны желіге қосыңыз и нажмите кнопку вкл./выкл. (1).
2. «SNOOZE/SLEEP» батырмасын (10) басыңыз. Дисплейде «90SLP» таңбалары жанып-сөне бастайды, бұл радиосағаттың 90 минуттан кейін автоматты сөнуі жүзеге асатынын білдіреді
3. «SNOOZE/SLEEP» батырмасын (10) қайталап басып, автосөнудің қажетті уақытын (10 минуттық қадаммен) белгілеңіз. Құрылғы ағымдағы жұмыс істеу режиміне қайтқанда, дисплейде «SLP» таңбалары пайда болады.
4. Таймерді сөндіру үшін «SNOOZE/SLEEP» батырмасын (10) дисплейде (13) «OFF» таңбасы пайда болғанға дейін қайталап басыңыз немесе іске қосу/айыру батырмасын (1) басып құрылғыны сөндіріңіз.

Дыбыс деңгейін реттеу

Қажетті дыбыс деңгейін белгілеу үшін «VOL+» (11) және «VOL-» (12) батырмаларын пайдаланыңыз.

«AUX IN» ұясы (16)

Сіз сыртқы құрылғыдағы дыбыстық сигналды радиосағаттың үндеткіштері арқылы тыңдай аласыз.

Сыртқы құрылғыны қосу үшін «AUX IN» ұясын (16) пайдаланыңыз.

1. Сыртқы құрылғыны 3,5 мм Jack-Jack аудиокабелінің (жеткізілім жинағына кірмейді) көмегімен қосыңыз.
2. Радиосағатты желіге қосыңыз және іске қосу/айыру батырмасын (1) басыңыз.
3. «FUNCTION» батырмасын (6) кезектеп басып, «AUX» жұмыс режимін таңдаңыз, сол кезде құрылғы дисплейінде сәйкес таңба пайда болады.

Радиостанцияларды қабылдау

1. Құрылғыны желіге қосыңыз және іске қосу/айыру батырмасын (1) басыңыз.
2. «FUNCTION» батырмасын (6) кезектеп басып, «RADIO» радионы тыңдау режимін таңдаңыз.
3. Батырмалар (7) және (9) көмегімен қажетті радиостанцияға бапталыңыз.

Қолмен баптау: FM режимінде 0,05 МГц қадамымен қажетті радиостанцияны таңдау үшін батырмаларды (7) және (9) кезектеп басыңыз.

Автоматты іздеу: батырманы (7) және (9) 1 секундтан астам басып ұстап тұрыңыз. Тюнер іздеуді бастауды және радиостанцияның ең жақын сигналы табылғанда іздеуді автоматты тоқтатады.

1. Радионы тыңдау режимінен шығу үшін «FUNCTION» батырмасын (6) басып, басқа жұмыс режимін таңдаңыз, немесе іске қосу /айыру батырмасын (1) басып құрылғыны сөндіріңіз.

Антенна (14)

Сапалы қабылдау үшін сәйкес келетін антеннаның (14) күйін таңдаңыз.

Радиостанцияларды бағдарламалау

Сіз FM ауқымында 20 радиостанцияны баптап сақтай аласыз.

1. Бағдарламалағыңыз келген радиостанцияға бапталыңыз.
2. «SET.MEM» батырмасын (2) радиоканалдың жанып-сөнетін таңбасы пайда болғанға дейін басып ұстап тұрыңыз.
3. Батырмаларды (7) және (9) кезектеп басып, радиостанцияны сақтағыңыз келген радиоканал нөмірін таңдаңыз.
4. Жасалған белгілеулерді сақтау үшін «SET.MEM» батырмасын (2) қайталап басыңыз.
5. 1–4 тармақтарын сіз құрылғы жадына сақатғыңыз келген жиіліктерді барлық радиостанциялар үшін орындаңыз.
6. Радионы тыңдау режимінде, алдын-ала бағдарламаланған радиостанцияларды таңдау үшін құрылғы корпусындағы «▶ || M+» батырмасын (8) немесе ҚБП-дегі (20) «▶ || M+» (29) және «REPEAT M-» (27) батырмаларын кезектеп басыңыз.

iPod/iPhone құрылғысымен жұмыс істеу

Ұстауышты таңдау

Сіздің iPod немесе iPhone-ыңыздың ағытпаға (4) дұрыс орнатылуын қамтамасыз ету үшін кестеге сәйкес төрт ұстауыштың біреуін пайдаланыңыз:

Ұстауыш	iPhone	Thin iPod	Thick iPod	Nano
iPod/iPhone моделі	iPhone 3 iPhone 3 GS iPhone 4	iPod Touch екінші, үшінші немесе төртінші ұрпағы	iPod Video бесінші ұрпағы	iPod Nano үшінші, төртінші, бесінші немесе алтыншы ұрпағы

Радиосағат пен iPod/iPhone-ң уақыт көрсеткімдерін сәйкестендіру/ iPod/iPhone-ы зарядтау

1. Құрылғыны желіге қосыңыз.
2. Сіздің iPod/iPhone-ыңыздың моделіне ұстауышты таңдаңыз.
3. iPod/iPhone-ы ағытпаға (4) салыңыз.
4. iPod/iPhone-ң аккумуляторлық батареяларының зарядталуы автоматты басталады, ал радиосағат уақытының баптаулары iPod/iPhone баптауларынмен автоматты сәйкестендіріледі.

Ескерту:

- **Құрылғы iPod Shuffle-ды зарядтамайды.**
- **Уақытты сәйкестендіру қызметі iPhone мен iPod Touch, iPod Nano, iPod Classic медиа-плеерінің барлық модельдерімен қолдалады. iPod-ң анағұрлым ерте модельдері уақытты сәйкестендіру қызметін қолдамайды.**

iPod/iPhone-ағы файлдарды жаңғырту

1. Іске қосу/айыру батырмасын (1) басып, құрылғыны іске қосыңыз.
2. «FUNCTION» батырмасын (6) кезектеп басып, iPod/iPhone-ен жұмыс істеу режимін таңдаңыз, сол кезде дисплейде сәйкес таңба пайда болады.
3. Егер Сіздің iPod/iPhone-ыңызда сәйкес өлшемдегі файлдар болса, олар тоқтатылған немесе тоқтата тұрған мезеттен бастап жаңғыртыла бастайды.

ҚАЗАҚ

1. Жаңғырту үшін «▶ II /M+» батырмасын (8) басыңыз.
2. Жаңғыртуды тоқтата тұру үшін «▶ II /M+» батырмасын (8) жаңғырту режимінде басыңыз.

Тректің басына, дейінгі және кейінгі трекке өту.

1. Дейінгі немесе кейінгі трекке, егер жаңғырту тоқтап тұрса, өту үшін сәйкес батырманы (7) немесе (9) басыңыз.
2. Жаңғыртылып жатқан тректің басына өту үшін жаңғырту режимінде батырманы (9) бір рет басыңыз.
3. Келесі трекке өту үшін жаңғырту режимінде бір рет батырманы (7) басыңыз.
4. Жаңғырту режимінде кейінгі трекке өту үшін батырманы (9) екі рет басыңыз, егер жаңғырту тоқтап тұрса, батырманы (9) BIP PBT БАСЫҢЫЗ.
5. Жылдам айналдыру үшін, сонымен қатар дейінгі немесе кейінгі трекке өту үшін сәйкес батырманы (7) немесе (9) басыңыз, сол кезде дыбыс іркілістермен жаңғыртылады.

Қашықтан басқару пульты (20)

- ҚБ пультындағы (20) батырмалар құрылғы корпусындағы батырмаларға сәйкес келеді:
20. Іске қосу/айыру батырмасы батырмаға (1) сәйкес келеді.
 23. «SNOOZE/SLEEP/DIMMER» батырмасы батырмаға (10) сәйкес келеді.
 25. «VOL+» дыбыс деңгейін зорайту батырмасы батырмаға (11) сәйкес келеді.
 26. «VOL-» дыбыс деңгейін азайту батырмасы батырмаға (12) сәйкес келеді.
 28. iPod/iPhone-ағы баптау жиілігін ұлғайту/кейінгі трекке өту батырмасы батырмаға (7) сәйкес келеді.
 29. «▶ II /M+» жаңғырту/жаңғыртуды тоқтату/бағдарламаланған радиостанцияға өту батырмасы батырмаға (8) сәйкес келеді.
 30. «AL.2» екінші оятықшыты іске қосу/айыру/баптау батырмасы батырмаға (5) сәйкес келеді.
 31. «SET.MEM» уақытты белгілеу/радиостанцияларды баптау батырмасы батырмаға (2) сәйкес келеді.
 32. «AL.1» бірінші оятықшыты іске қосу/айыру/баптау батырмасы батырмаға (3) сәйкес келеді.
 34. iPod/iPhone-ағы баптау жиілігін азайту/дейінгі трекке өту батырмасы батырмаға (9) сәйкес келеді.
 36. «FUNCTION» жұмыс режимдерін ауыстыру батырмасы батырмаға (6) сәйкес келеді.

iPod/iPhone мәзірімен қозғалу

1. Для просмотра меню в режиме прослушивания iPod/iPhone-ы тыңдау режимінде мәзірді көру үшін ҚБП-дағы (20) «MENU» батырмасын (37) басыңыз.
2. Мәзірдің бір деңгейіне жоғары көтерілу үшін «MENU» батырмасын (37) тағы да басыңыз.
3. Мәзірдің тармақтары бойынша жоғары/төмен қозғалу үшін батырмаларды (33) және (35) пайдаланыңыз.
4. Тандалған қапшықты ашу/тандалған тректі жаңғырту үшін «SELECT» батырмасын (22) басыңыз.

Ескерту:

- Мәзір тармақтарымен жұмыс істегенде, одан бұрын таңдалған тректі жаңғырту арғы жағында жалғасып жатады.
- Арғы жағында жаңғыртылып жатқан тректі басқаруды Сіз құрылғы корпусындағы батырмаларды (7), (8), (9) немесе ҚБП-дағы (20) батырмаларды (28), (29), (34) бысып жүзеге асыра аласыз.

Жаңғыртуды қайталау

1. Бір тректі қайталау үшін «REPEAT M-» батырмасын (27) бір рет басыңыз.
2. Барлық тректерді қайталау үшін «REPEAT M-» батырмасын (27) екі рет басыңыз.
3. Жаңғыртуды қайталауды болдырмау үшін «REPEAT M-» батырмасын (27) тағы да басыңыз.

Тректерді еркін тәртіппен жаңғырту

1. Тректерді еркін тәртіппен жаңғырту үшін ҚБП-дағы «SHUFFLE» батырмасын (24) басыңыз.
2. Тректерді еркін тәртіппен жаңғыртуды болдырмау үшін «SHUFFLE» батырмасын (24) қайталап басыңыз.

Дыбыс деңгейін реттеу

ҚБ пультындағы батырмалар (33) және (35) сонымен қоса iPod/iPhone-ағы тыңдағыштар арқылы жаңғыртылатын дыбыс деңгейіне сәйкес келетін дыбыс деңгейін реттейді. Радиосағат үндеткіштеріндегі дыбыс деңгейін зорайту үшін құрылғы корпусындағы «VOL+» (11) және «VOL-» (12) батырмаларын немесе ҚБП-дағы (20) «VOL+» (25) және «VOL-» (26) батырмаларын пайдаланыңыз.

ТАЗАЛАНУЫ ЖӘНЕ КҮТІМІ

- Тазалау алдында құрылғыны желіден ажыратыңыз.
- Құрылғыны тазалау үшін жұмсақ матаны пайдаланыңыз.
- Бұл мақсаттар үшін сұйық немесе себілетін тазалағыш заттарды пайдалануға тыйым салынады.

САҚТАЛУЫ

- Құрылғыны сақтауға қойғанға дейін, оны тазалауды жүзеге асырыңыз.
- Құрылғыны құрғақ салқын, балалардың қолы жетпейтін жерде сақтаңыз.

Техникалық сипаттамалары

Электрқорегі: 220–240 В ~ 50 Гц

Желілік бейімдеуіштен шығатын кернеу: 5 В, 2000 мА

Қосымша қоректендіру: 1,5 В «AAA» типті екі элемент

FM радиожиліліктерінің қабылданатын ауқымы: Диапазон принимаемых: 87,5-108 МГц

Өндіруші аспаптың сипаттамаларын алдын-ала хабарлаусыз өзгерту құқығын сақтайды.

Аспаптың қызмет ету мерзімі – 3 жыл

Гарантиялық міндеттілігі

Гарантиялық жағдайдағы қаралып жатқан бөлшектер дилерден тек сатып алынған адамға ғана беріледі. Осы гарантиялық міндеттілігіндегі шағымдалған жағдайда төлеген чек немесе квитанциясын көрсетуі қажет.



Бұл тауар EMC – жағдайларға сәйкес келеді негізгі Міндеттемелер 89/336/EEC Дерективаның ережелеріне енгізілген Төменгі Ережелердің Реттелуі (73/23 EEC)

Radioli soat (iPod/iPhone ulanadigan) VT-3520

Asosiy qismlari

1. Ishlatish/o'chirish tugmasi
2. Vaqtni qo'yish/radiostansiyalarni dasturlash tugmasi «SET.MEM»
3. Birinchi qo'ng'iroqni ishlatish/o'chirish/to'g'rilash tugmasi «AL.1»
4. iPod/iPhone ulanadigan o'rin
5. Ikkinchi qo'ng'iroqni ishlatish/o'chirish/to'g'rilash tugmasi «AL.2»
6. Ishlash holatini o'zgartirish tugmasi «FUNCTION»
7. O'tish oralig'ini ko'paytirish/ iPod/iPhone dagi keyingi trekka o'tkazish tugmasi
8. Eshittirish/eshittirishni to'xtatish/dasturdagi keyingi radiostansiyaga o'tish tugmasi «▶ || /M+»
9. O'tish oralig'ini kamaytirish/ iPod/iPhone dagi keyingi trekka o'tkazish tugmasi
10. Qo'ng'iroq ovozi qaytarish/taymer/display yorug'ligini o'zgartirish tugmasi «SNOOZE/SLEEP/ DIMMER»
11. Ovozni ko'tarish tugmasi «VOL+»
12. Ovozni pasaytirish tugmasi «VOL-»
13. Display
14. FM antenna simi
15. «DC» ulash o'rni
16. Tashqi vositalarni ulash o'rni «AUX IN»
17. Batareya bo'lmasi qopqog'i
18. Elektr adapteri simi shtekeri
19. Elektr adapteri
20. Olisdan boshqarish pulti (OBP)

Olisdan boshqarish pulti

21. Ishlatish/o'chirish tugmasi
22. iPod/iPhone menyusidagi jildni/trekni tanlash tugmasi
23. Qo'ng'iroq ovozi qaytarish/taymer/display yorug'ligini o'zgartirish tugmasi «SNOOZE/SLEEP/ DIMMER»
24. Aralash eshittirishni ishlatish/o'chirish tugmasi «SHUFFLE»
25. Ovozni ko'tarish tugmasi «VOL+»
26. Ovozni pasaytirish tugmasi «VOL-»
27. Qaytarib eshittirish/dasturdagi radiostansiyani tanlash tugmasi «REPEAT M-»
28. O'tish oralig'ini ko'paytirish/ iPod/iPhone dagi keyingi trekka o'tkazish tugmasi
29. Eshittirish/eshittirishni to'xtatish/dasturdagi keyingi radiostansiyaga o'tish tugmasi «▶ || /M+»
30. Ikkinchi qo'ng'iroqni ishlatish/o'chirish/to'g'rilash tugmasi «AL.2»
31. Vaqtni qo'yish/radiostansiyalarni dasturlash tugmasi «SET.MEM»
32. Birinchi qo'ng'iroqni ishlatish/o'chirish/to'g'rilash tugmasi «AL.1»
33. iPod/iPhone menyusida o'tish tugmasi (pastga)
34. O'tish oralig'ini kamaytirish/ iPod/iPhone dagi oldingi trekka o'tkazish tugmasi
35. iPod/iPhone menyusida o'tish tugmasi (yuqoriga)
36. Ishlash holatini o'zgartirish tugmasi «FUNCTION»
37. iPod/iPhone menyusiga o'tish/menyuda bitta yuqoriga chiqarish tugmasi

XAVFSIZLIK QOIDALARI

Jihozni elektrga ulashdan, ishlatishdan va to'g'rilashdan oldin ishlatish qoidalarini diqqat bilan o'qib chiqing. Qo'llanmada aytilgan ogohlantirishlar va ishlatish borasidagi tavsiyalarning hammasiga to'liq amal qilish kerak. Qo'llanmani olib qo'yib, keyinchalik kerak bo'lganda ma'lumot olish uchun ishlatiladi.

- Elektr tarmog'idagi quvvat jihoz elektr adapterida ko'rsatilgan quvvatga to'g'ri kelishini tekshirib ko'ring.
- YOng'in chiqmasligi, elektr toki urmasligi uchun jihozga yomg'ir, suv tekkmang.
- Jihozni, elektr adapterini va elektr adapter shnurini suvga yoki boshqa suyuqlikka solish ta'qiqlanadi.

- Yong'in chiqmasligi yoki elektr toki urmasligi uchun jihozni namlik ko'p joyga (vanna, suv solingan idish, oshxonadagi idish yuvgich, kir yuvish mashinasi, suv havzasi, zax yerto'la va hk. yaqiniga) qo'ymang. Jihozga tomchi tekkizmang, suv sachratmang.
- Rozetka yoki uzaytirgichlarga ortiqcha yuk tushirmang, sababi bu yong'in chiqishi yoki tok urishiga sabab bo'lishi mumkin.
- Jihozni biror joyi nosoz bo'lganda tez rozetkadan ajratish mumkin bo'ladigan qilib qo'ying.
- Qo'shimcha himoya qilish uchun, chaqmoq chaqayotganda yoki ko'p vaqt ishlatmaydigan bo'lsangiz, jihozni elektrdan ajratib qo'ying. SHunda chaqmoq urganda yoki elektr tarmog'ida birdan quvvat ko'payib ketsa jihoz buzilmaydi.
- Jihozni elektrdan ajratganda elektr adapterini ushlab torting, hech qachon elektr shnurini ushlab tortmang.
- Elektr toki urmasligi uchun jihoz korpusini o'zingiz ochmang. Jihozni ta'mirlamang, uning biror qismini o'zgartirmang. Biror joyi buzilgan bo'lsa jihozni elektrdan ajratib vakolatli xizmat markaziga olib boring.
- Jihozni havo yaxshi aylanadigan joyga qo'ying. Jihozning havo kirish yo'llarini yopib qo'ymang.
- Jihozni tekis, qo'zg'olmaydigan, magnit maydoni kuchli bo'ladigan jihozlardan, masalan, video-audio magnitofonlardan, katta kolonkalar va hokozolardan uzoqroqqa qo'yish kerak, sababi bu jihozlardan chiqadigan magnit maydoni quvvat liniyasi ovozga ta'sir qilishi mumkin.
- FM antennani tashqi antennaga ulamang.
- Jihozni issiqlik chiqaradigan jihozlar, masalan, radiatorlar, elektr isitgichlar, duxovkalar yaqiniga, quyosh nuri to'g'ri tushib turadigan, chang ko'p bo'ladigan, titraydigan yoki mexanik urilishi mumkin bo'lgan joylarga qo'ymang. Jihozni shuningdek ochiq olov, misol uchun, yonib turgan sham yaqiniga qo'ymang.
- Jihozdagi ochiq joylarga yot jismlar tushmasligi kerak.
- Jihoz bolalar yoki imkoniyati cheklangan insonlarning ishlatishi uchun mo'ljallanmagan. Juda zarur bo'lganda ularning xavfsizligi uchun javob beradigan inson jihozni xavfsiz ishlatishni, noto'g'ri ishlatilganda qanday xafalar bo'lishini sodda va tushunarli qilib o'rgatishi kerak.
- Jihozni bolalarning qo'li yetmaydigan joyga qo'yib saqlang.
- Bolalar jihozni o'yinchoq qilib o'ynashlariga ruxsat bermang.
- Jihoz faqat uy sharoitida ishlatishga mo'ljallangan.

Elektrga ulash

- Jihozni elektrga ulash uchun elektr adapter shnuridagi shtekerni (18) «DC» ulash o'rniga (15) ulang. Elektr adapterini (19) o'zgaruvchan tok rozetkasiga ulang.
- Zahira quvvat berishi uchun jihozga ichki batareya tizimi qo'yilgan, o'zgaruvchan tok tizimida elektr bo'lmaganda bu tizim soat, taymer, qo'ng'iroq va dasturlab qo'yilgan radiostansiyalarni ishlatib turadi. Tizimda elektr bo'lishi bilan jihoz elektr adapterdan quvvatlanishga o'tadi.
- Batareya bo'lmasi qopqog'ini (17) oching, manfiy va musbat tomonlarini to'g'rilab ikkita «AAA» turidagi batareya qo'ying (batareya jihozga qo'shib berilmaydi).

Diqqat!

Batareya oqsa jihoz buzilishi, inson ham jarohatlanishi mumkin. Batareya oqmasligi uchun quyidagi tavsiyalarga amal qiling:

- batareyalarni manfiy va musbat tomonlarini to'g'rilab qo'ying;
- agar jihoz ko'p vaqt ishlatilmasa ichidagi batareyalarini olib qo'ying.
- batareyalarni quvvatlantirmang, qismlarga ajratmang, baland haroratli joyga qo'ymang.
- batareyalarni vaqtida almashtirib turing.

Vaqtini to'g'rilash

Vaqtini qo'lda to'g'rilash

1. Jihozni elektrga ulang.

ЎЗБЕК

2. «SET.MEM» (2) tugmasini bosib ushlab turing, displeyda vaqtni ko'rsatish formati belgilari o'chib-yona boshlaydi: 12 soat ((12Hr) yoki 24 soat (24Hr).
3. (7) va (9) tugmalarini bosib vaqt ko'rsatilishi formatini tanlang.
4. «SET.MEM» (2) tugmasini bosning. Displeyda raqam (soat) o'chib-yona boshlaydi.
5. (7) va (9) tugmalarini bosib soatni to'g'rilang.
6. «SET.MEM» (2) tugmasini bosning. Displeyda raqam (daqiqqa) o'chib-yona boshlaydi.
7. (7) va (9) tugmalarini bosib daqiqani to'g'rilang.

Eslatma: Agar vaqt to'g'rilanayotganda (7) yoki (9) tugmalari 10 sekund bosilmasa jihoz vaqtni ko'rsatish holatiga qaytib ishlaydi.

Qo'ng'iroq (AL.1 va AL.2) chalinadigan vaqtni qo'yish

1. Jihozni elektrga ulang.
2. Qo'ng'iroq hozir qaysi vaqtga qo'yilganini bilish uchun «AL.1» (3) tugmasini bosning.
3. Qo'ng'iroqni boshqa vaqtga qo'yish uchun qo'ng'iroq qo'yilgan vaqt ko'rsatib turilganda «AL.1» (3) tugmasini yana bir marta bosib, ushlab turing. Displeyda soat o'chib-yona boshlaydi.
4. (7) va (9) tugmalarini bosib kerakli soatni tanlang.
5. «AL.1» (3) tugmasini bosning. Displeyda daqiqa o'chib-yona boshlaydi.
6. (7) va (9) tugmalarini bosib kerakli daqiqani tanlang.
7. «AL.1» (3) tugmasini bosning. Displeyda qo'ng'iroq ovozi turi o'chib-yona boshlaydi. (7) va (9) tugmalarini bosib kerakli qo'ng'iroq ovozini tanlang: radio (RADIO), iPod/iPhone (belgisi ko'rsatiladi) yoki signal ovozi (BEEP) tanlanadi.
8. Ikkinchi qo'ng'iroq «AL.2» (5) uchun ham 2-8 bandlarda aytilgan ishlarni qaytaring.

Eslatma:

- **Agar (7) yoki (9) tugmalari 10 sekund bosilmasa jihoz vaqtni ko'rsatish holatiga qaytib ishlaydi.**
- **Jihoz elektrga ulangan bo'lsagina qo'ng'iroq chalinadi.**
- **Agar qo'ng'iroq uchun iPod/iPhone ni tanlagan bo'lsangiz ular jihozdagi ulash joyiga (4) ulangan bo'lishi kerak, aks holda qo'ng'iroq chalinmaydi.**

Qo'ng'iroqlarni ishlatishtirish/o'chirish

1. Qo'ng'iroq(lar)ni ishlatishtirish uchun, displeyda qo'ng'iroq(lar) ishlayotgani belgisi ko'rinmaguncha, «AL.1» (3) / «AL.2» (5) tugmasini bosib, ushlab turing.
2. Qo'ng'iroqni o'chirish uchun tegishli qo'ng'iroq tugmasini yana bir marta bosasiz.

Qayta qo'ng'iroq chalinishini ishlatishtirish

1. «SNOOZE/SLEEP» (10) tugmasini bosib qo'ng'iroq chalinishini 9 daqiqqa keyinga qoldirish mumkin. 9 daqiqadan keyin qo'ng'iroq yana chalinadi.
2. Qo'ng'iroq ovozini o'chirish uchun tegishli qo'ng'iroq «AL.1»/(3)/«AL.2»(5) tugmalaridan birini bosning. Agar qo'ng'iroq o'niga radio ovozi qo'yilgan bo'sla 1 soatdan keyin radio o'zi o'chadi.

Eslatma: Agar birorta ham tugma bosilmasa qo'ng'iroq 1 soat chalib turiladi.

Displey yoritilishini to'g'rilash (13)

1. Jihozni elektrga ulang.
2. «DIMMER» (10) tugmasini ketma-ket bosib displeyning yorishish yorqinligini tanlang.

Taymer

Soatni radioli soat o'zi o'chadigan vaqtga qo'yishingiz mumkin.

1. Jihozni elektrga ulab ishlatish/o'chirish tugmasini (1) bosib.
2. «SNOOZE/SLEEP» (10) tugmasini bosib. Displayda radioli soat 90 daqiqadan keyin o'zi o'chishini bildiradigan «90SLP» belgisi o'chib-yona boshlaydi.
3. «SNOOZE/SLEEP» (10) tugmasini (10 daqiqa oraliqda) ketma-ket bosib radioli soatni o'zi o'chadigan vaqtga qo'ying. SHundan keyin jihoz vaqtni ko'rsatish holatiga o'tib ishlayotganda «SLP» belgisi ko'rinib turadi.
4. Taymerni o'chirish uchun, displayda (13) «OFF» yozuvi ko'ringuncha «SNOOZE/SLEEP» (10) tugmasini ketma-ket bosib yoki ishlatish/o'chirish tugmasini (1) bosib jihozni o'chiring.

Ovoz balandligini o'zgartirish

Ovoz balandligini o'zgartirish uchun «VOL+» (11) va «VOL-» (12) tugmalarini bosib.

«AUX IN» ulash o'rni (16)

Radioni radiosoaatga ulangan dinamiklardan eshitish mumkin. Tashqi vositani «AUX IN» (16) ulash o'rniga birlashtirish uchun:

1. Tashqi vositani 3,5 mm Jack-Jack audiokabeli bilan ulang (jihozga qo'shib berilmaydi).
2. Radioli soatni elektrga ulang va ishlatish/o'chirish tugmasini (1) bosib.
3. «FUNCTION» tugmasini (6) ketma-ket bosib «AUX» holatini tanlang, displayda tegishli belgi ko'rinadi.

Radiostansiyalarni qabul qilish

1. Jihozni elektrga ulang, ishlatish/o'chirish tugmasini (1) bosib.
2. «FUNCTION» tugmasini (6) ketma-ket bosib, radio eshitish uchun «RADIO» holatini tanlang.
3. (7) va (9) tugmalarini bosib kerakli radiostansiyani toping.

Qo'lda to'g'rilash: kerakli radiostansiyani topish uchun FM holatida 0,05 MHz oraliqda (7) va (9) tugmalarini ketma-ket bosib.

Avtomatik qidirish: (7) va (9) tugmalarini 1 sekunddan ortiq bosib ushlab turing. Tyuner radiostansiyalarni qidira boshlaydi va kuchliroq radioto'lqinni topganda o'zi to'xtaydi.

1. Radio eshitish holatidan chiqish uchun «FUNCTION» tugmasini (6) bosib boshqa ishlash holatini tanlang yoki ishlatish/o'chirish tugmasini (1) bosib.

Antenna (14)

Antennani (14) radioto'lqin yaxshi qabul qilinadigan qilib chiqarib qo'ying.

Radiostansiyalarni dasturga kiritish

FM diapazonida 20 ta radiostansiyani topib, saqlab qo'yishingiz mumkin.

1. Dasturga kiritmoqchi bo'layotgan radiostansiyani toping.
2. O'chib-yonayotgan radiokanal belgisi ko'rinmaguncha «SET.MEM» tugmasini (2) bosib, ushlab turing.
3. (7) va (9) tugmalarini ketma-ket bosib radiostansiya qaysi raqam bilan saqlanishini tanlang.
4. Saqlanishi uchun «SET.MEM» tugmasini (2) yana bir marta bosib.
5. Chastotasi jihoz xotirasida saqlanadigan boshqa radiostansiyalarni ham 1-4-bandlarda aytilgandek tartib bilan saqlab qo'ying.
6. Dasturga kiritilgan radiostansiyalarni eshitish uchun, radio eshitish holatida, jihoz ustidagi «▶ II /M+» (8) tugmasini ketma-ket bosib yoki olisdan boshqarish pultidagi (20) «▶ II /M+» (29) va «REPEAT M-» (27) tugmalarini bosib.

iPod/iPhone vositalari bilan ishlatish

Tutgichni tanlash

iPod yoki iPhone ulash joyiga (4) to'g'ri ulanishi uchun jadvaldi to'rtta tutgichdan bittasini tanlang:

Tutgich	iPhone	Thin iPod	Thick iPod	Nano
Model iPod/ iPhone	iPhone 3 iPhone 3 GS iPhone 4	iPod Touch ikkinchi, uchinchi yoki to'rtinchi avlod	iPod Video beshinchi avlod	iPod Nano uchinchi, to'rtinchi, beshinchi yoki oltinchi avlod

Radioli soatda vaqt ko'rsatilishini sinxronlash/ iPod/iPhone/ iPod/iPhone ni quvvatlantirish

1. Jihozni elektrga ulang.
2. iPod/iPhone modeliga to'g'ri keladigan tutgichni tanlang.
3. iPod/iPhone ni ulash joyiga (4) ulang.
4. iPod/iPhone akkumulyator batareyalari quvvat olishni boshlaydi, radioli soatdagi vaqt esa iPod/iPhone dagi vaqt bilan sinxronlashadi.

Eslatma:

- *Jihoz iPod Shuffle ni quvvatlantirmaydi.*
- *Vaqt barcha iPhone modellari, iPod Touch, iPod Nano, iPod Classic media pleyerlarida ham sinxronlashadi.*

iPod/iPhone dagi fayllarni o'qish

1. Ishlatish/o'chirish tugmasini (1) bosib jihozni ishlating.
2. «FUNCTION» tugmasini (6) ketma-ket bosib iPod/iPhone bilan ishlash holatini tanlang, displeyda tegishli belgi ko'rinadi.
3. Agar iPod/iPhone ingizda to'g'ri keladigan formatdagi fayllar bo'lsa ular o'qilishi to'xtatilgan yoki to'xtatib turilgan vaqtdan boshlab o'qila boshlaydi.
4. O'qishi uchun «▶ II /M+» tugmasini (8) bosing.
5. O'qishni to'xtatishi uchun o'qish holatida ishlayotganda «▶ II /M+» tugmasini (8) bosing.

Trek boshlanishiga, oldingi va keyingi trekka o'tkazish

1. Agar o'qish to'xtatib qo'yilgan bo'lsa, oldingi yoki keyingi trekka o'tish uchun (7) yoki (9) tugmalaridan keragini bosing.
2. O'qilyotgan vaqtda trekning boshlanishiga o'tish uchun bir marta tugmasini (9) bosing.
3. Keyingi trekka o'tish uchun, o'qiyotgan vaqtda, (7) tugmasini bosing.
4. Oldingi trekka o'tish uchun, o'qiyotgan vaqtda ikki marta (9) tugmasini bosing, agar o'qishi to'xtatilgan bo'lsa bir marta (9) tugmasini bosing.
5. Tez o'tkazish, oldingi, keyingi trekka o'tkazish uchun (7) yoki (9) tugmalarini bosib ushlab turing, shunday vaqtda ovoz uzilib eshitiladi.

Olisdan boshqarish pulti (20)

Olisdan boshqarish pultidagi (20) tugmalar jihoz korpusidagi tugmalar bilan bir xil:

20. Ishlatish/o'chirish tugmasi (1) tugma bilan bir xil.
23. «SNOOZE/SLEEP/DIMMER» tugmasi (10) tugma bilan bir xil.
25. «VOL+» ovozni ko'tarish tugmasi (11) tugma bilan bir xil.
26. «VOL-» ovozni pasaytirish tugmasi (12) tugma bilan bir xil
28. O'tkazish oralig'ini ko'paytirish/ iPod/iPhone dagi keyingi trekka o'tkazish tugmasi (7) tugmaga to'g'ri keladi.

29. Eshittirish/eshittirishni to'xtatish/dasturdagi radiostansiyaga o'tkazish tugmasi «▶ || /M+» (8) tugmaga to'g'ri keladi.
30. Ishlatish/o'chirish/ikkinchi qo'ng'iroqni to'g'rilash tugmasi «AL.2» (5) tugma bilan bir xil.
31. Vaqtni to'g'rilash/Radiostansiyalarni dasturga kiritish tugmasi «SET.MEM» (2) tugma bilan bir xil.
32. Ishlatish o'chirish/birinchi qo'ng'iroqni to'g'rilash tugmasi «AL.1» (3) tugma bilan bir xil.
34. O'tkazish oralg'ini kamaytirish/ iPod/iPhone dagi oldingi trekka o'tkazish tugmasi (9) tugmaga to'g'ri keladi.
36. Ishlash holatini o'zgartirish «FUNCTION» tugmasi (6) tugmaga to'g'ri keladi.

iPod/iPhone menyusida ishlash

1. iPod/iPhone holatida eshitish holatida olisdan boshqarish pultidagi (20) «MENU» (37) tugmasini bosib.
2. Menyuda bitta yuqoriga chiqish uchun yana bir marta «MENU» (37) tugmasini bosib.
3. Menyuda pastga/yuqoriga chiqish uchun (33) va (35) tugmalarni ishlatib.
4. Tanlangan jildni ochish/tanlangan trekni eshitish uchun «SELECT» tugmasini (22) bosib.

Eslatma:

- **Menyu bilan ishlaganda oldin tanlangan trek eshitalishi fon holatida bo'ladi.**
- **Jihoz korpusidagi (7), (8), (9) va olisdan boshqarish pultidagi (28), (29), (34) tugmalarni bosib trek fon holatida ishlatilishini boshqarishingiz mumkin.**

Qayta eshitish

1. Bitta trekni qayta eshitish uchun «REPEAT M-» tugmasini (27) bir marta bosib.
2. Hamma treklarni qayta eshitish uchun «REPEAT M-» tugmasini (27) ikki marta bosib.
3. Qayta eshitishni bekor qilish uchun «REPEAT M-» tugmasini (27) yana bir marta bosib.

Treklarni aralashtirib eshitish

1. Treklarni aralashtirib eshitish uchun olisdan boshqarish pultidagi (20) «SHUFFLE» tugmasini (24) bosib.
2. Treklar aralashtirib o'qilishini bekor qilish uchun «SHUFFLE» tugmasini (24) yana bir marta bosib.

Ovoz balandligini o'zgartirish

Olisdan boshqarish pultidagi (33) va (35) tugmalari iPod/iPhone balandligini ham o'zgartiradi va quloqqa taqib eshitish vositasi balandligiga to'g'ri keladi. Radioli soat dinamikidan chiqayotgan ovozni o'zgartirish uchun jihoz korpusidagi «VOL+» (11) va «VOL-» (12) tugmalarini yoki olisdan boshqarish pultidagi (20) «VOL+» (25) i «VOL-» (26) tugmalarini bosib.

TOZALASH VA EHTIYOT QILISH

- Tozalashdan oldin jihazni elektrdan ajratib qo'ying.
- Jihazni yumshoq mato bilan tozalang.
- Tozalash uchun suyuq yoki purkaladigan tozalash vositalarini ishlatmang.

SAQLASH

- Jihazni saqlab olib qo'yishdan oldin, tozalab oling.
- Jihazni salqin, quruq va bolalarning qo'li yetmaydigan joyga qo'yib saqlang.

Texnik xususiyatlari

Ishlaydigan elektr quvvati: 220–240 V ~ 50 Hz

Elektr adapterining chiqish quvvati: 5 V, 2000 mA

Zahira quvvati: «AAA» turidagi ikki dona 1,5 B batareya

Qo'llaniladigan FM radiochastotalar oralig'i: 87,5-108 MHz

ЎЗБЕК

Ishlab chiqaruvchi olindan xabar bermay jihoz xususiyatlarini o'zgartirish huquqini saqlab qoladi.

Jihozning ishlash muddati 3 yil

Kafolat shartlari

Ushbu jihozga kafolat berish masalasida hududiy diler yoki ushbu jihoz xarid qiningan kompaniyaga murojaat qiling. Kassa cheki yoki xaridni tasdiqlaydigan boshqa bir moliyaviy hujjat kafolat xizmatini berish sharti hisoblanadi.

CE *Ushbu jihoz 89/336 YAES Ko'rsatmasi asosida belgilangan va Quvvat kuchini belgilash Qonunida (73/23 YAES) aytilgan YAXS talablariga muvofiq kelad*

GB

A production date of the item is indicated in the serial number on the technical data plate. A serial number is an eleven-unit number, with the first four figures indicating the production date. For example, serial number 0606xxxxxxx means that the item was manufactured in June (the sixth month) 2006.

RUS

Дата производства изделия указана в серийном номере на табличке с техническими данными. Серийный номер представляет собой одиннадцатизначное число, первые четыре цифры которого обозначают дату производства. Например, серийный номер 0606xxxxxxx означает, что изделие было произведено в июне (шестой месяц) 2006 года.

UA

Дата виробництва виробу вказана в серійному номері на табличці з технічними даними. Серійний номер представляє собою одинадцятизначне число, перші чотири цифри якого означають дату виробництва. Наприклад, серійний номер 0606xxxxxxx означає, що виріб був виготовлений в червні (шостий місяць) 2006 року.

KZ

Бұйымның шығарылған мерзімі техникалық деректері бар кестедегі сериялық нөмірде көрсетілген. Сериялық нөмір он бір саннан тұрады, оның бірінші төрт саны шығару мерзімін білдіреді. Мысалы, сериялық нөмір 0606xxxxxxx болса, бұл бұйым 2006 жылдың маусым айында (алтыншы ай) жасалғанын білдіреді.

UZ

Mahsulot ishlab chiqarilgan muddat texnik xususiyatlari yozilgan yorliqdagi seriya raqamida ko'rsatilgan. Seriya raqami o'n bitta raqamdan iborat bo'ladi, birinchi to'rtta son ishlab chiqarilgan sanani bildiradi. Misol uchun, seriya raqami 0606xxxxxxx bo'lsa, mahsulot iyun (oltinchi oy) 2006 yili ishlab chiqarilgan bo'ladi.



© ООО ГОЛДЕР-ЭЛЕКТРОНИКС, 2011
© GOLDER-ELECTRONICS LLC, 2011